

**WINTEC**

**QINGDAO WINTEC SYSTEM CO., LTD.**

Wintec Park, Xinye Road, High-Tech Zone,  
Qingdao, China

[www.wintec.co](http://www.wintec.co)

# **Selfpos60 User Manual**

---

## Table of contents

Table of contents .....	3
Introduction .....	4
Product description .....	4
Product features .....	4
Specification .....	4
Product Usage .....	6
Packing list .....	6
Product appearance .....	7
I/O ports .....	8
Device Installation .....	10
General operations .....	16
Operating System .....	17
Common Configuration .....	17
Hardware-Software Integration .....	18
Troubleshooting .....	19
Revision sheet .....	20

## Introduction

### Product description

Selfpos60 is a multi-functional self-service cash register terminal that integrates functions such as weighing(optional), printing, scanning and touch.

- It can be equipped with a variety of peripherals such as camera, all-in-one card reader, indicator light and other input devices.
- The personalized needs of different users are ideal for a variety of formats, such as retail and catering.

### Product features

- Integrated design of scanners and thermal printers.
- Support two platforms: X86 and ARM.
- 21.5 inch screen.
- Support 1D and 2D barcode scanning.
- Ergonomic design.
- High performance, low power consumption and high reliability.

## Specification

### Windows

Name	612P00	613P00		619P00	616P00
CPU	J6412	N97	N95	i3-1115G4	i5-1235U
Memory	1*DDR4 SODIMM, up to 32GB	1*DDR4 SODIMM, up to 16GB		1* DDR4 SODIMM up to 64G	1*DDR5 SODIMM up to 64G
Storage	128GB M.2, up to 512GB				
Main display	21.5 inch ,1920*1080				
Touch screen	Multi point capacitive touch screen, USB interface				
Speaker	Stereoscopic speaker, 1 * 5W				
WIFI	WIFI(IEEE 802.11a/b/g/n/ac)+BT 4.2 module (optional)				
IO ports	4*USB 2*COM port 1*Ethernet port 1*Cash drawer port 1*HDMI port				

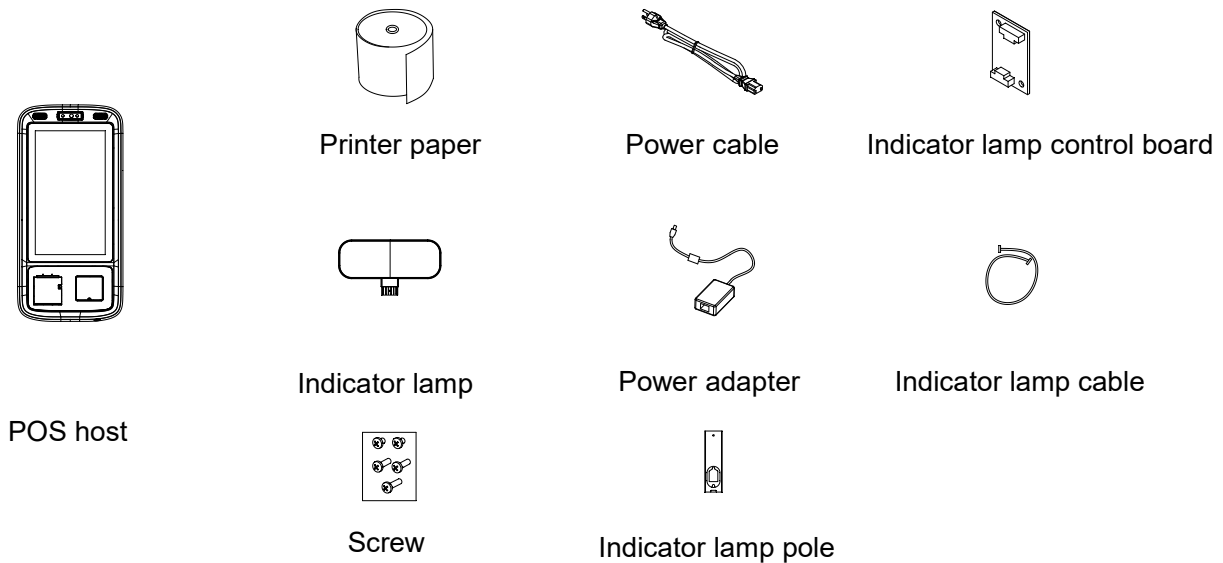
	1*DC_IN
Ethernet	10/100/1000M adaptive
Temperature	Operating temperature:0-40℃ Storage temperature:-20-55℃
Humidity	Operating humidity: 20%-95%RH Storage humidity:20%-95%RH

Android

Name	0651KC5	612Q00	611Q00	616Q00
CPU	RK3288W	RK3576	RK3568	RK3399
Memory	LPDDR3 2G, up to 4G	LPDDR4x 4G, up to 16G	LPDDR4 2G, up to 8G	LPDDR4 up to 4G
Storage	EMMC 16G, up to 64G	EMMC 64G	EMMC 32G, up to 128G	EMMC 32GB
Main display	21.5 inch ,1920*1080			
Touch screen	Multi point capacitive touch screen, IIC interface			
Speaker	Stereoscopic speaker, 1 * 5W			
WIFI	WIFI(IEEE 802.11a/b/g/n/ac)+BT 4.2 module			
IO ports	1*Audio 1*OTG 1*HDMI 2*COM 1*Ethernet 4*USB 1*DC_IN	4*USB 2*COM port 1*Ethernet port 1*Cash drawer port 1*DC_IN 1*HDMI port 1*OTG port		
Ethernet	10/100M adaptive	10/100/1000M adaptive		
Temperature	Operating temperature:0-40℃ Storage temperature:-20-55℃			
Humidity	Operating humidity: 20%-95%RH Storage humidity:20%-95%RH			

# Product Usage

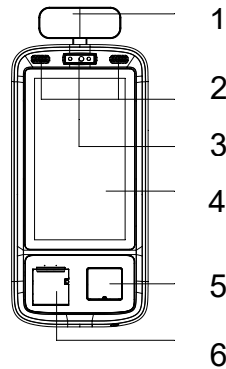
## Packing list



Content	Quantity
POS host	1
Power cable	1
Adapter	1
Printer paper	1
Indicator lamp(optional)	1
Indicator lamp pole(optional)	1
Screw(optional)	1
Indicator lamp control board(optional)	1
Indicator lamp cable(optional)	1

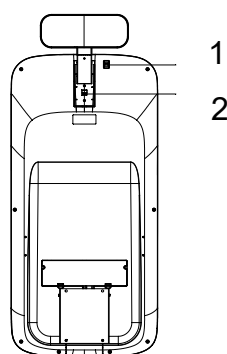
## Product appearance

### Front View



Number	Description
1	Indicator lamp (optional)
2	Speaker
3	Facial recognition camera(optional)
4	Display and touch screen
5	Scanner
6	Printer

### Back View



Number	Description
1	Facial recognition camera angle adjusting handle
2	Indicator lamp interface

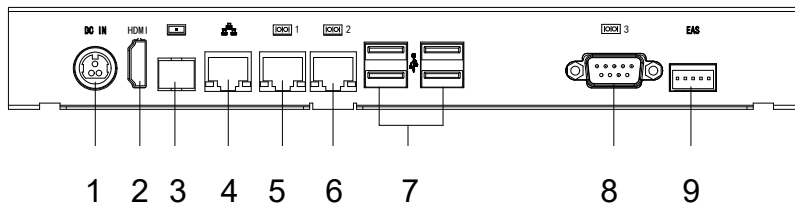
### Bottom View



Number	Description
1	Power button

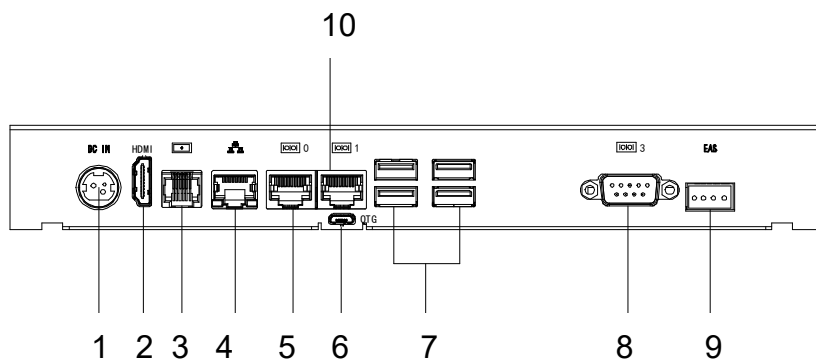
### I/O ports

612P00/613P00/616P00/619P00



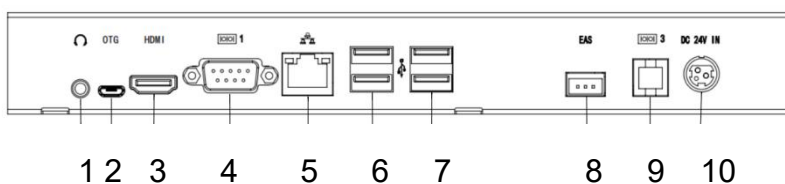
Number	Description
1	24V Power input port
2	HDMI port
3	Cash drawer port
4	Ethernet port
5	COM 1
6	COM 2
7	USB port
8	COM 3
9	Deactivator port (EAS)

611Q00/612Q00/616Q00



Number	Description
1	24V Power input port
2	HDMI port
3	Cash drawer port
4	Ethernet port
5	COM 0
6	OTG port
7	USB port
8	COM 3
9	Deactivator port (EAS)
10	COM 1

0651KC5



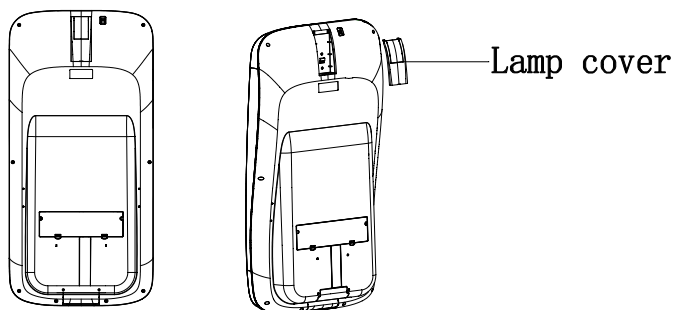
Number	Description
1	Audio Port
2	OTG port
3	HDMI port
4	COM 1
5	Ethernet Port
6	USB port

7	USB port
8	Deactivator Port (EAS)
9	COM 3
10	24V Power Input

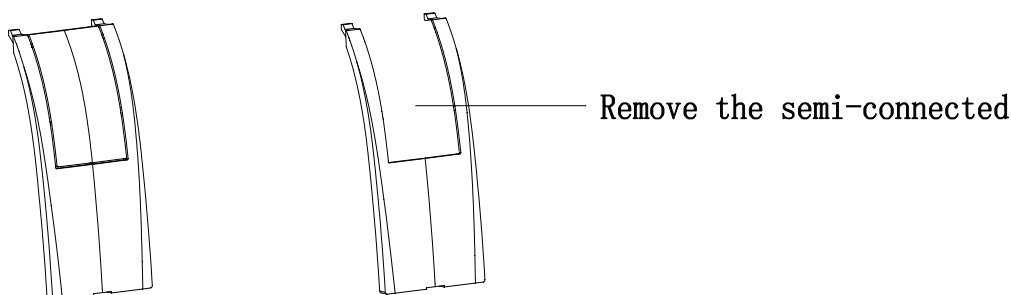
## Device Installation

### *Indicator and surveillance camera installation*

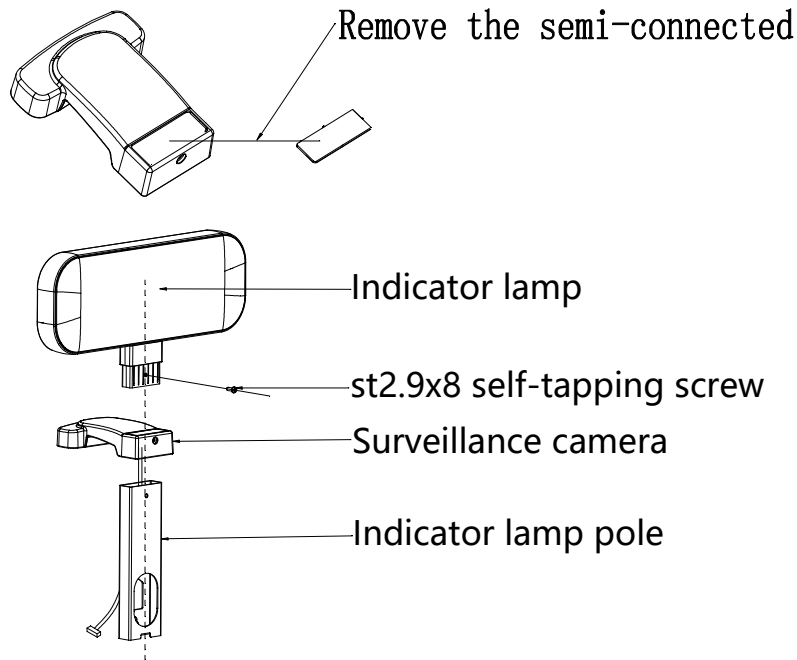
1. Remove the lamp cover shown in the figure below:



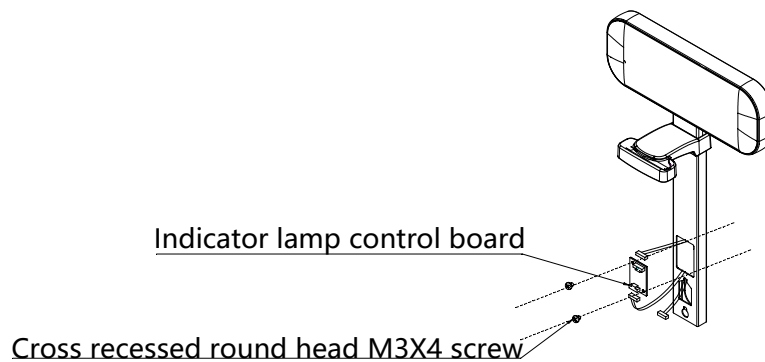
2. Remove the semi-connected part on the lamp post cover as shown below:



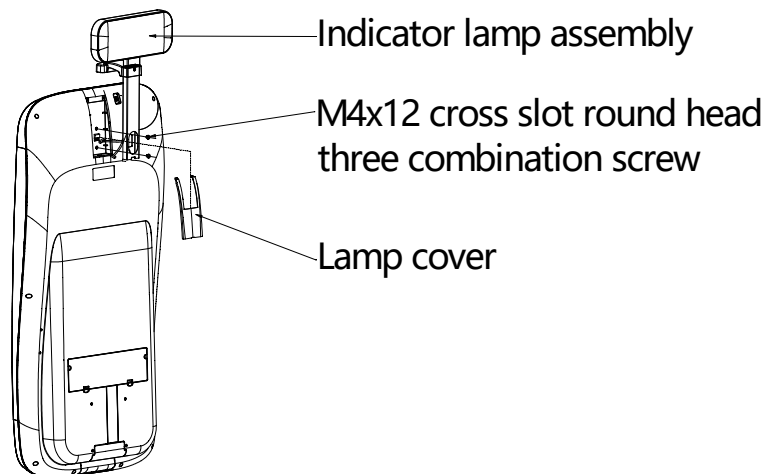
3. Remove the half-connected part of the surveillance camera assembly, insert the two-color indicator cable into the surveillance camera assembly and the two-color pole, thread out the outlet as shown below, then insert the two-color indicator down into the surveillance camera assembly and two-color In the lamp pole, use a 2.9x8 self-tapping screw to fix the two-color lamp, the surveillance camera assembly and the two-color pole, as shown below:



4. Insert the indicator lamp cable into the indicator lamp control board, then insert the indicator lamp cable into the other side, insert it into the other end of the indicator lamp control board, and then install the indicator lamp control board with two Phillips round head M3x4 screws. Inside the indicator lamp pole, form a indicator lamp assembly, as shown below:

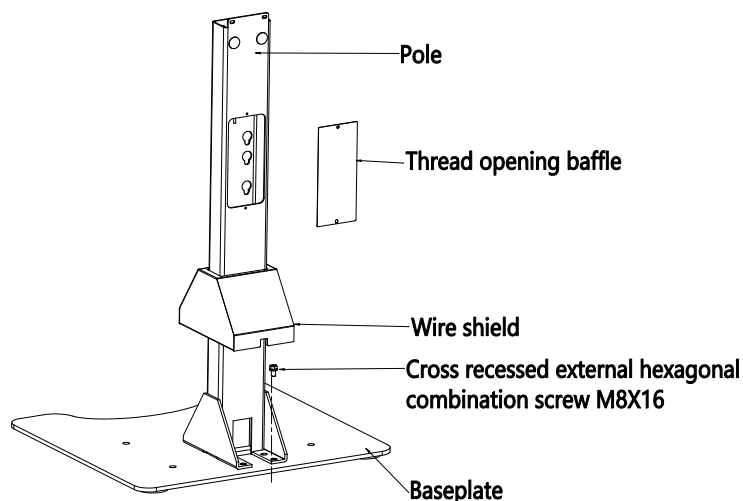


5. Plug the other end of the indicator light and the camera's patch cord into the interface board on the back of the POS host, Install the indicator lamp assembly to the POS host using two M4x12 cross recessed round head three combination screws, and then install the lamp cover back. Complete the indicator lamp installation. See below:

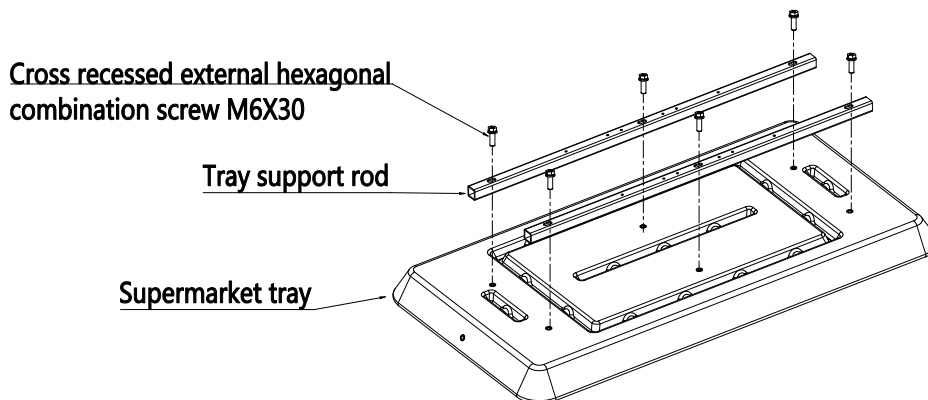


### Host pole mode installation instructions

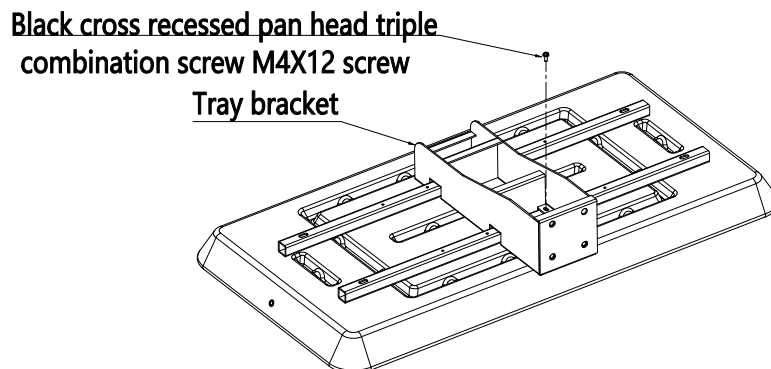
1. Use a cross screwdriver to remove the cover plate of the vertical pole threading port, and use 8 M8x16 cross slot outer hexagonal combination screws to fix the vertical pole and the bottom plate together, as shown in the following figure:



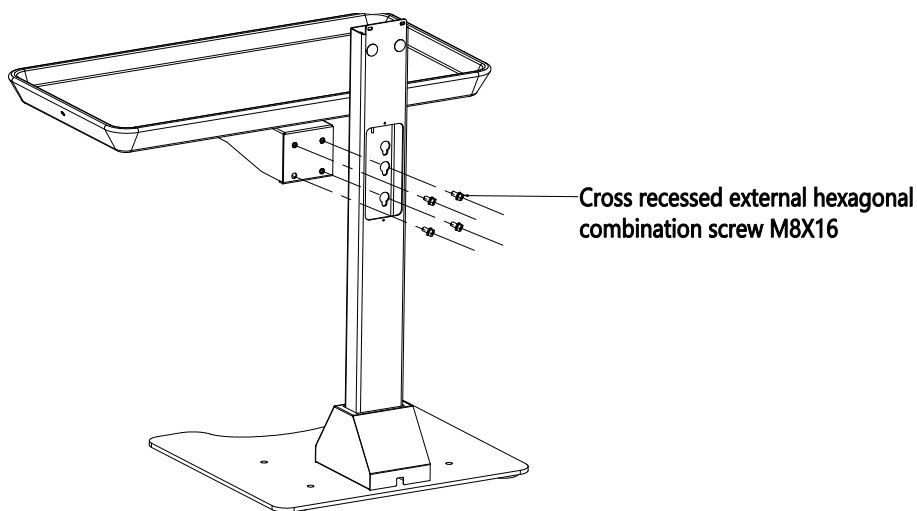
2. Fix the tray support rod and tray together using 6 M6x30 cross recessed external hexagonal combination screws. As shown in the following figure:



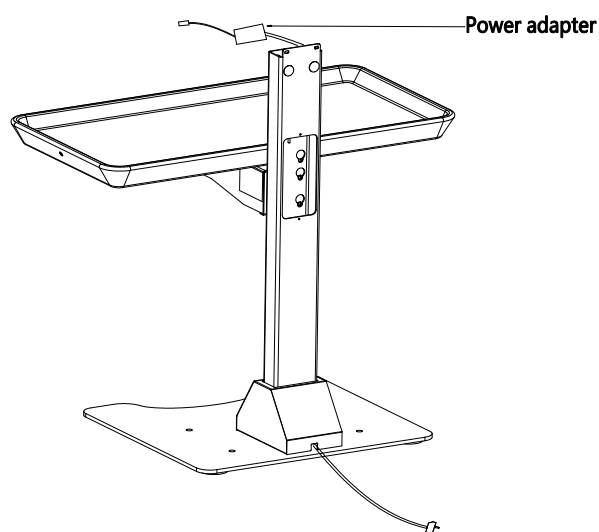
3. Connect the tray support rod and tray bracket with four black M4x12 cross recessed pan head triple combination screws to form the tray component. As shown in the following figure:



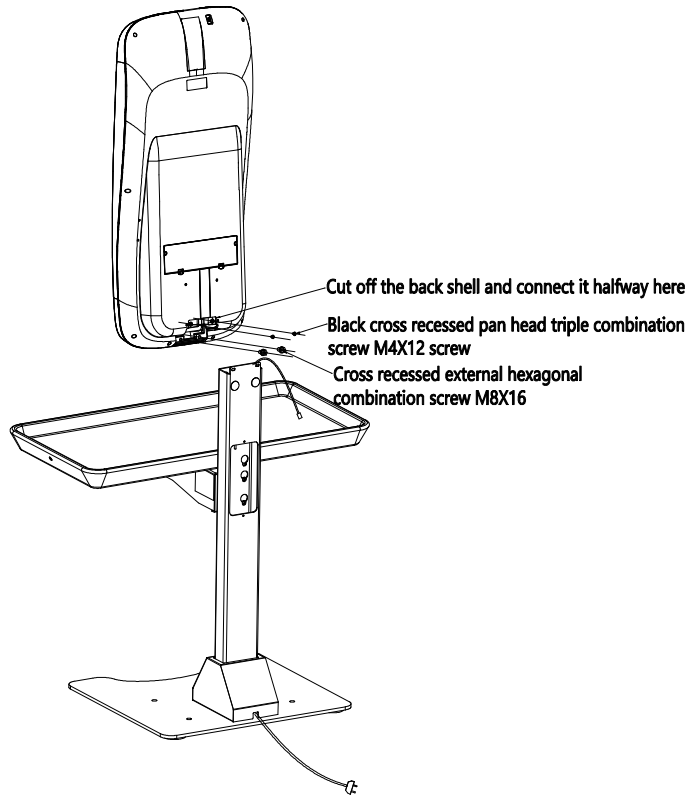
4. Use four M8x16 cross recessed outer hexagonal combination screws to secure the tray assembly and upright pole together. As shown in the following figure:



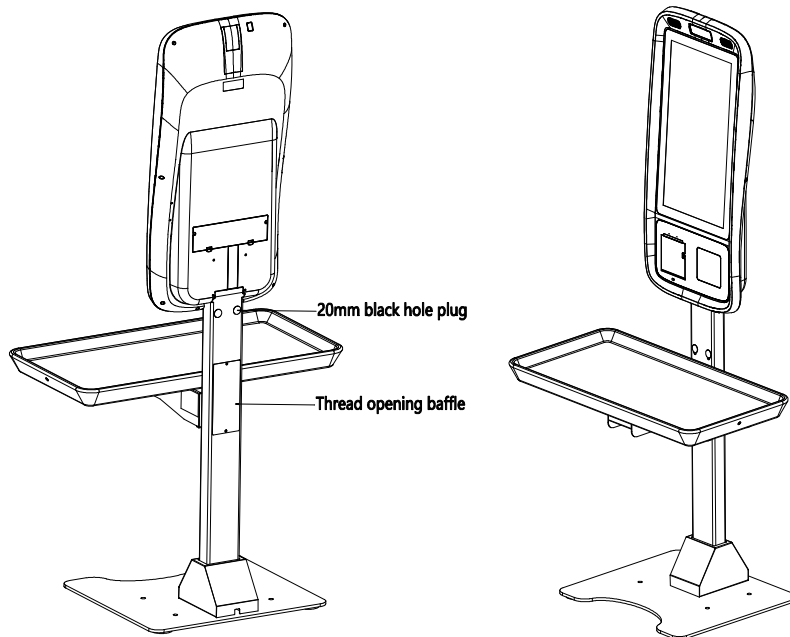
5. Connect the adapter to the power cord, thread the power cord in from the top of the pole, and then out from below to form the base component, as shown in the following figure:



6. Remove the half connection of the rear housing of the host shown in the figure below, and use two M4x12 black cross recessed round head triple combination screws and two M8x16 cross recessed outer hexagonal combination screws to connect the host part to the base component. As shown in the following figure:

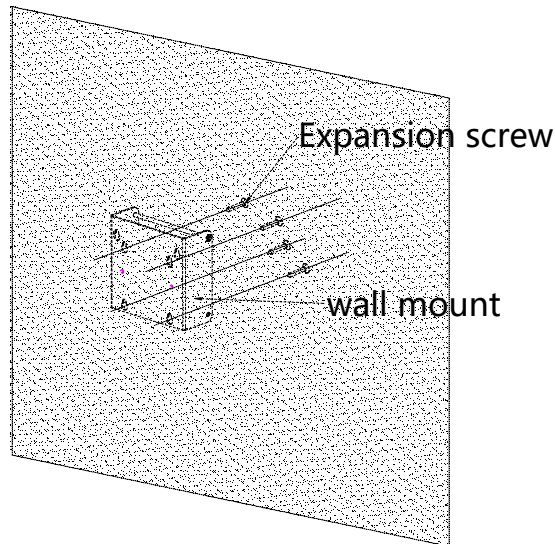


7. Install the threading port baffle back onto the upright pole as shown in the following figure, and plug two 20mm black hole plugs to complete the installation of the entire upright pole:

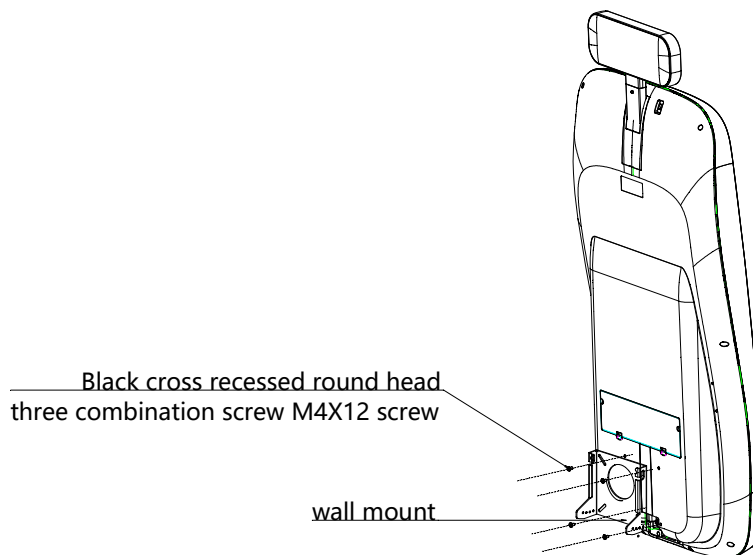


### Host wall mount installation instructions

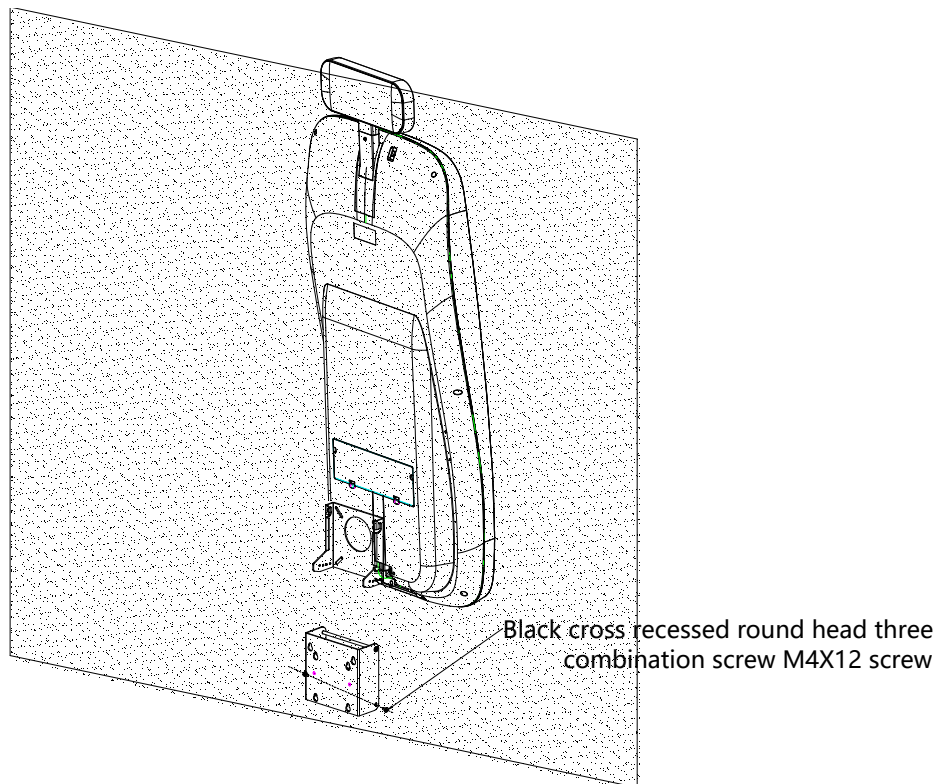
1. Use a 4 expansion screw to secure a part of the wall mount to the wall.



2. Install the other part of the wall mount to the rear casing of the mainframe with four M4x12 black cross recessed round head three combination screws, as shown below:



3. Hang the main unit through the wall mount to the wall, and then fix the bottom of the wall mount with two M4x12 black cross recessed round head three combination screws to complete the wall mounting of the main unit.



## General operations

### *Power on*

Android: Long press the switch button, hear the "drop" sound, let go, and wait for the boot.

Windows: Press the power button, release it, and wait for the power to turn on.

### *Power off*

Android: Press and hold the switch button, and select the shutdown option in the pop-up dialog box to shut down the system.

Windows: Under the system, click the "Start" button in the lower menu, select the shutdown option, and shut down the system.

*Note: Do not turn off the power directly or pull out the power cable. This may cause damage to the device.*

## Operating System

612P00/613P00/616P00/619P00

- Windows

Peripherals	Port name	Parameters
POS printer	COM5 USB	Baud rate: 38400 Parity: n Data bit: 8 Stop bit: 1 -- USB2.0
Human proximity sensor	USB	GPIO
Camera	USB	USB2.0
Barcode scanner	USB	USB2.0
Indicator Light	COM6	Baud rate: 9600 Parity: n Data bit: 8 Stop bit: 1 --

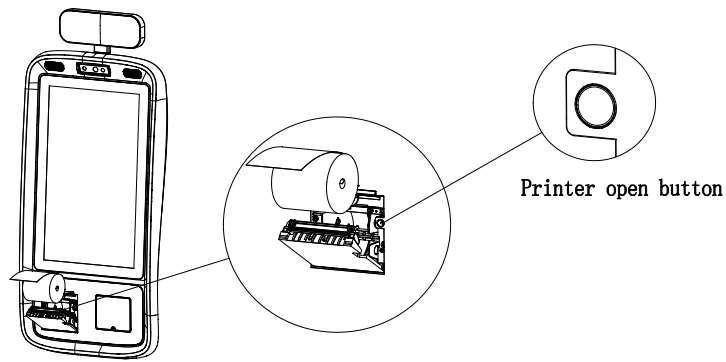
611Q00/612Q00/616Q00/0651KC5

- Android

Peripherals	Port name	Parameters
POS printer	USB	USB2.0
Human proximity sensor	USB	GPIO
Camera	USB	USB2.0
Barcode scanner	USB	USB2.0
Indicator Light	COM4	Baud rate: 9600 Parity: n Data bit: 8 Stop bit: 1 --

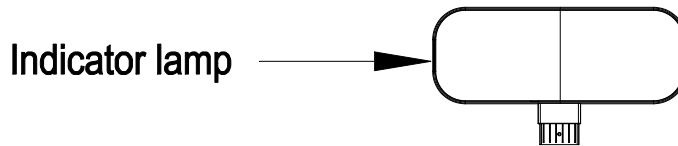
## Common Configuration

*Quick install printer paper*



Press the printer open button shown above to open the printer compartment cover and load the thermal paper into the printer in the direction shown above.

*Indicator lamp status description*



Status	Color	Indicator lamp left	Indicator lamp right
The device is good.software and hardware booting up normally.	Green	Green	Green
Device Failure	Red	Red	Red
Scan Successfully	Green light flashing	Green light flashing	Green light flashing
Scan Failed	Red	Green light flashing	Red
Loss prevention video tips	Red	Green light flashing	Red
Deactivation process	Red light flashing	Green light flashing	Red light flashing
Help	Red	Green light flashing	Red

**Hardware-Software Integration**

File name	Description
Wintec SDK	Wintec software development Kit

---

## Troubleshooting

If you are experiencing trouble with your device, refer to the following table. If the problem persists, please contact your local dealer or the WINTEC service center.

Issue	Recommended solutions
Device fails to power on	Turn off the power and check the DC power cord for proper connection.
No sound from the speaker	Install the audio driver and set the speaker output.
System nonresponse	Restart the device or unplug and plug in the power supply to restart the device.
Poor print quality	Dirty print head: Clean the print head with a special cleaning tool or alcohol pads.

## Revision sheet

Version	Change description	Author
1.0.0	Initial Release	Neil
1.0.1	Update configuration	Yorke
1.0.2	Update configuration	Yorke