

WINTEC

QINGDAO WINTEC SYSTEM CO., LTD.

Wintec Park, Xinye Road, High-Tech Zone,
Qingdao, China

www.wintec.co

Selfpos200 User Manual

Table of contents

Table of contents	3
Introduction	3
Product description	3
Product features	3
Specification	3
Product Usage	5
Packing list	5
Product appearance	9
I/O ports	11
Device Installation	12
General operations	23
Operating System	23
Hardware-Software Integration	24
Troubleshooting	25
Revision sheet	26

Introduction

Product description

Selfpos200 is a multi-functional self-checkout terminal that integrates touch control, printing, scanning, human body sensing, and Pinpad functions. It can be optionally equipped with a cash module and other input devices and other peripheral devices, meeting the personalized needs of different users. It is an ideal choice for various business formats such as retail.

Product features

- Modular design for various combinations upon demands
- Easy maintenance design of key modules
- Multiple cash modules options
- Multi-size side table options
- More accurate security scale design
- Assembly design, Slim package

Specification

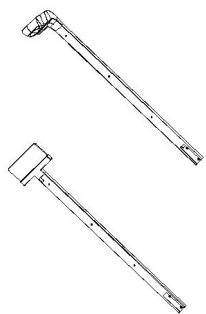
Name	273J05	213J05	279J05	276J05
CPU	N97-4 cores-3.6GHZ	N95-4 cores-3.4GHZ	i3-1215U-4 cores-2.4GHZ	i5-1235U-4 cores-2.4GHZ
Memory	8GB, up to 16GB		8GB, up to 64GB	
Storage	128G, up to 512GB			
Main display	a.15 inch,1024*768 b.21.5 inch,1920*1080			
Touch Screen	Multi point capacitive touch screen, USB interface			
Speaker	Stereoscopic speaker, 2*5W			
Camera(optional)	a.2D camera(200W/500W) b.3D camera			
Printer(optional)	80mm Printer(Epson EU-m30)			
WIFI	a.Support BL-M8821CU1 WIFI+BT dual-band module(optional) b.None			
Ethernet	10/100/1000M adaptive			
Scanner(optional)	a.WS71 b.Datalogic c.Zebra 360° Scanner			

Optional	Indicator light, surveillance camera, loss prevention scale, human distance sensor, cash module
IO ports	4*USB 5*COM ports 1*Ethernet port 1*Cash drawer port 1*24V DC IN port 1*HDMI port 1*12V DC OUT port 3*12V P-USB port 1*24V P-USB port 1*DP port 1*24V Type-C port 3*Expand the ethernet port
Temperature	Operating temperature: 0-40°C Storage temperature: -20-55°C
Humidity	Operating humidity: 20%-95%RH Storage humidity: 20%-95%RH

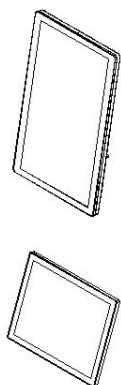
Product Usage

Packing list

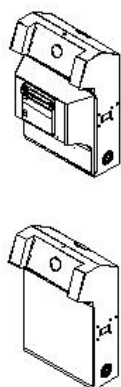
●Main cabinet materials



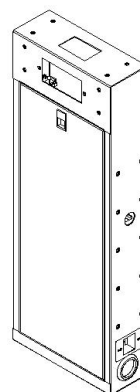
Indicator light pole
(Choose one of the two styles)



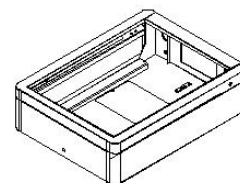
Display component
(21.5/15 inches available)



Main cabinet
(Printer optional)



Main cabinet pole assembly



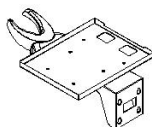
Scanning platform components



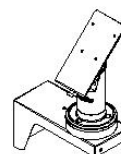
Billboard stand



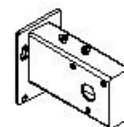
Base plate



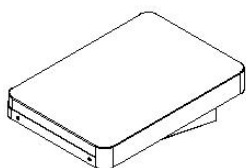
Scanner & printer bracket assembly



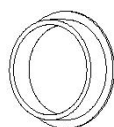
Pinpad bracket assembly



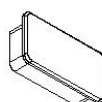
Shelf holder



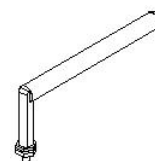
Side storage platform



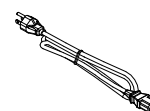
30mm black plug hole



Black square hole plug



WIFI antenna (optional)



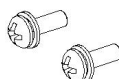
Power cord



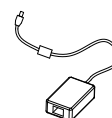
M8*70
Hexagon socket triple combination screws



M8*16
Hexagon socket triple combination screws



M4*12
Cross triple combination screws



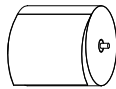
Adapter



Product qualification certificate



Serial port adapter cable



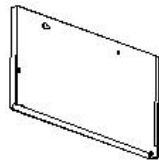
Print paper(optional)

Content	Quantity
Indicator light pole	1
Display component	1
Main cabinet	1
Main cabinet pole assembly	1
Scanning platform components	1
Billboard stand	2
Base plate	1
Scanner&printer bracket assembly	1
Pinpad bracket assembly	1
Shelf holder	1
Side storage platform	1
30mm black plug hole	3
Black square hole plug	1
WIFI antenna (optional)	1
Power cord	3
M8*70 Hexagon socket triple combination screws	20
M8*16 Hexagon socket triple combination screws	32
M4*12 Cross triple combination screws	1
Adapter	1
Product qualification certificate	1
Serial port adapter cable	1
Print paper(optional)	1

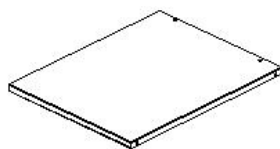
●Shopping bag shelves for side shelves (optional)



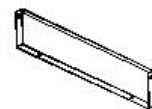
Shopping bag laminates left panel



Shopping bag laminates right panel



Shopping bag laminates bottom plate



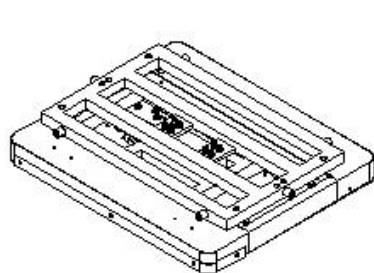
Shopping bag laminates backboard



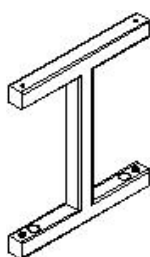
Shopping bag laminate mounting bracket

Content	Quantity
Shopping bag laminates left panel	1
Shopping bag laminates right panel	1
Shopping bag laminates bottom plate	1
Shopping bag laminates backboard	1
Shopping bag laminate mounting brackets	2

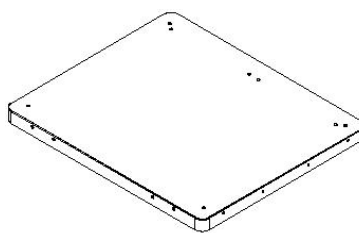
●Medium sub-cabinet materials



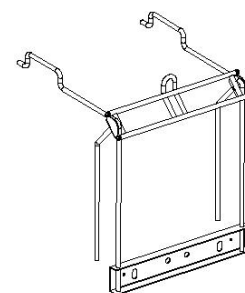
Sub-cabinet lower shell



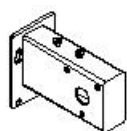
Storage stand



Scale pan



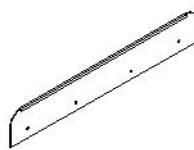
Shopping bag stand (optional)



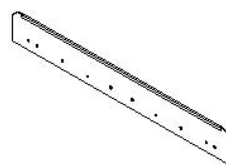
Storage stand



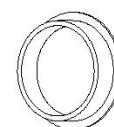
Reinforcing bracket for the sub-cabinet



Side fence of the scale pan (optional)



Rear fence of scale pan of middle sub-cabinet (optional)



30mm black plug hole



M8*80 conical cap type expansion screws



M4*8 120° countersunk screws



M8*70 hexagon socket triple combination screws



M8*16 hexagon socket triple combination screws

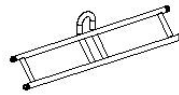
Content	Quantity
Sub-cabinet lower shell	1
Storage stand	1
Scale pan	1
Shopping bag stand (optional)	1
Storage stand	1
Reinforcing bracket for the sub-cabinet	1
Side fence of the scale pan(optional)	2

Rear fence of scale pan of middle sub-cabinet (optional)	1
30mm black plug holes	2
M8*80 conical cap type expansion screws	2
M4*8 120° countersunk screws	10
M8*70 hexagon socket triple combination screws	5
M8*16 hexagon socket triple combination screws	6

● Shopping bag bracket material (optional)



Shopping bag stand



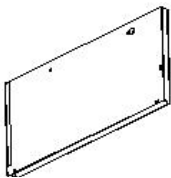
Shopping bag bracket limit



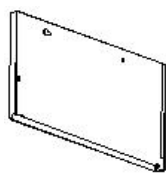
Support rod for shopping bag stand

Content	Quantity
Shopping bag stand	1
Shopping bag bracket limit	1
Support rod for shopping bag stand	2

● Medium shopping bag laminate for sub-cabinet (optional)



Shopping bag laminates left pane



Shopping bag laminates right panel



The medium-sized secondary cabinet uses the bottom board of the shopping bag layer



The medium-sized secondary cabinet uses shopping bag shelves and backboards

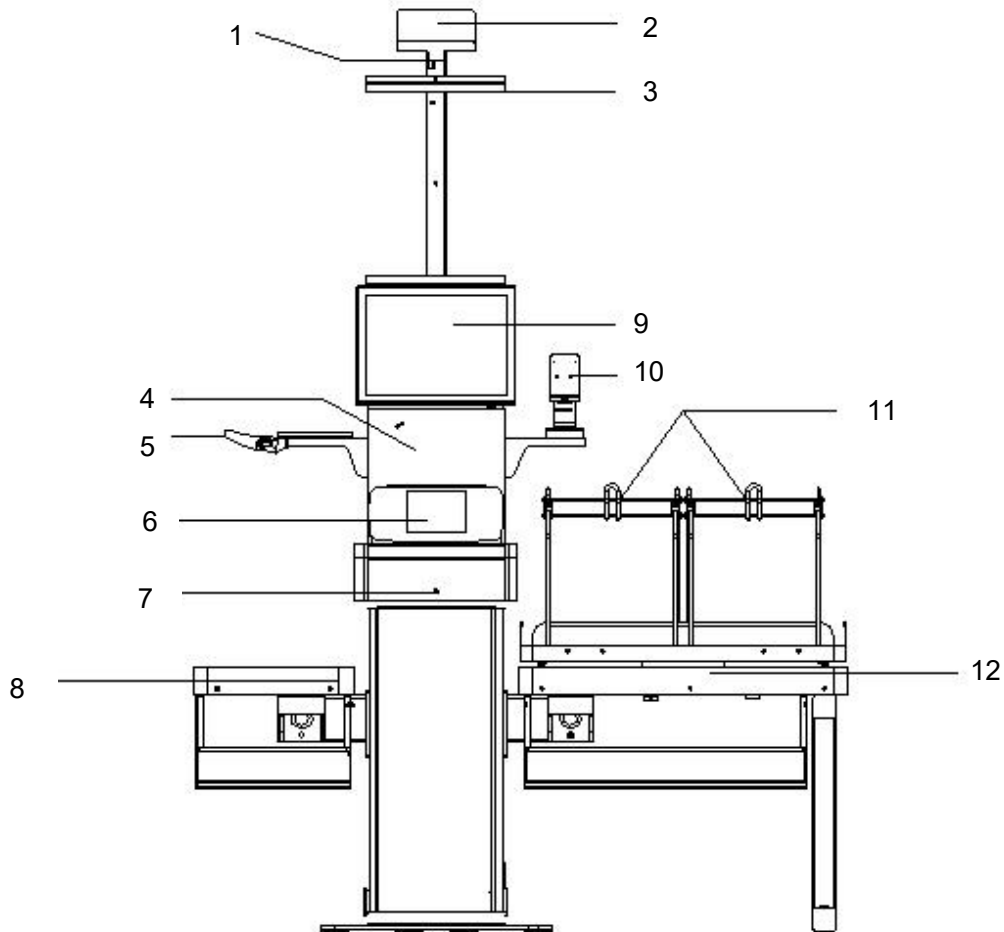


Shopping bag laminate mounting bracket

Content	Quantity
Shopping bag laminates left panel	1
Shopping bag laminates right panel	1
The medium-sized secondary cabinet uses the bottom board of the shopping bag layer	1
The medium-sized secondary cabinet uses shopping bag shelves and backboards	1
Shopping bag laminate mounting brackets	2

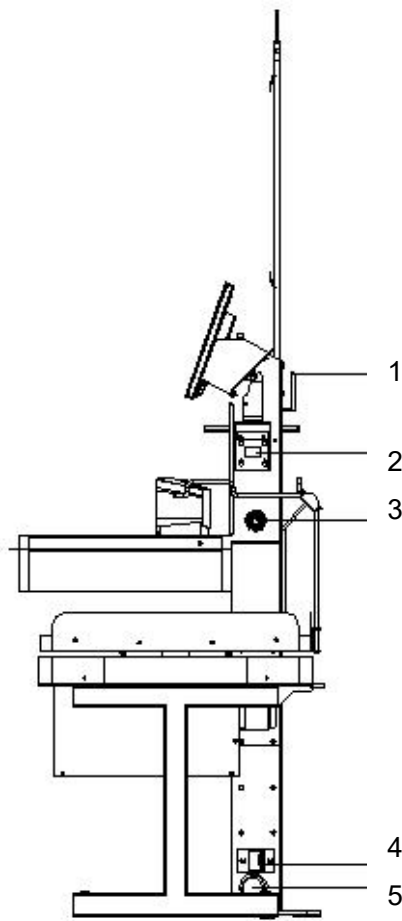
Product appearance

Front View



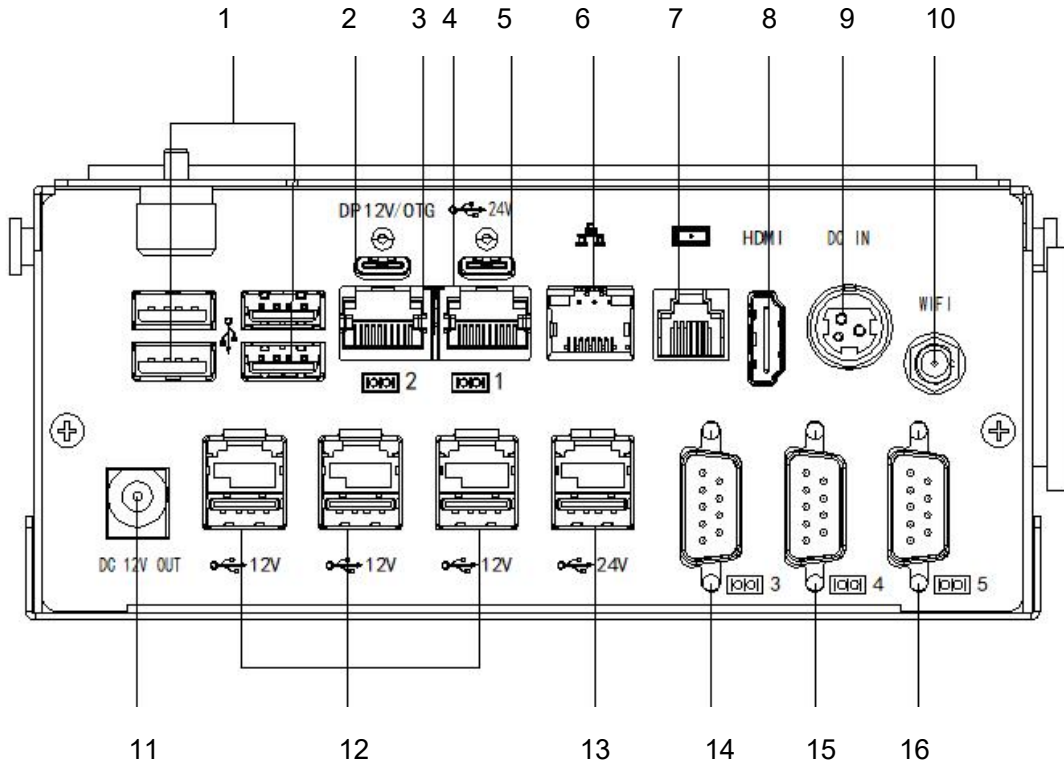
Number	Description
1	Loss prevention surveillance camera (optional)
2	Three-color indicator light
3	Billboard stand
4	Printer module (optional)
5	Printer, scanner stand
6	Scanning module
7	Human proximity sensor
8	Side storage platform
9	Main display
10	Pinpad stand
11	Shopping bag stand
12	Loss prevention scale

Side View

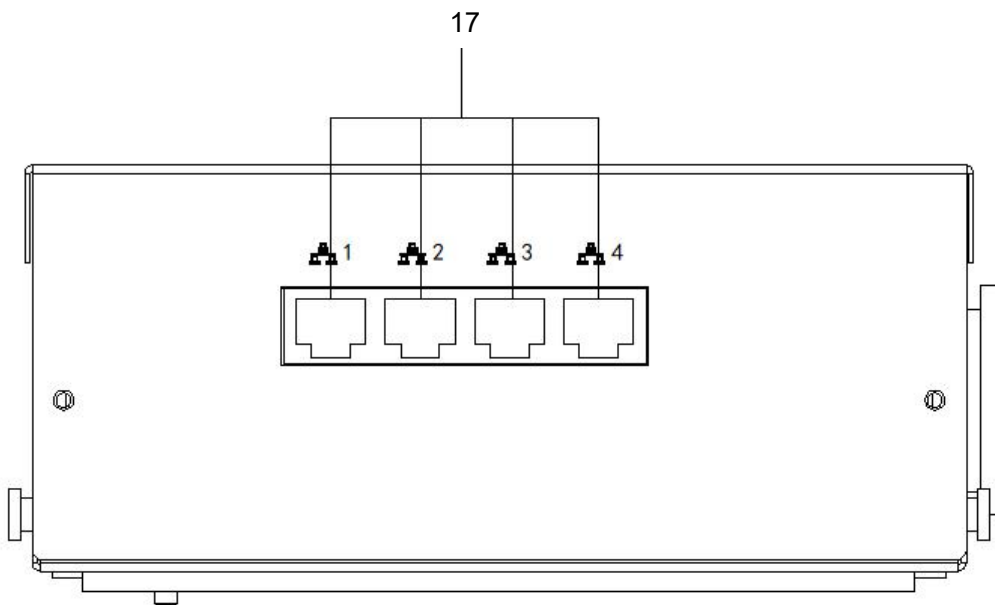


Number	Description
1	WIFI antenna (optional)
2	Wiring hole
3	Speaker
4	Power strip control switch
5	Wiring hole

I/O ports



Number	Description
1	USB ports
2	DP port
3	COM2(5V)
4	COM1(5V)
5	24V Type-C port
6	Ethernet port
7	Cash drawer port
8	HDMI port
9	24V DC_IN port
10	WIFI port
11	12V DC_OUT port
12	12V P-usb ports
13	24V P-usb port
14	COM3(5V)
15	COM4(5V)
16	COM5(5V)



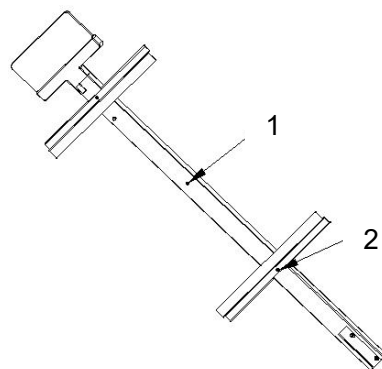
Number	Description
17	Extended Ethernet Port

Device Installation

Installation tools

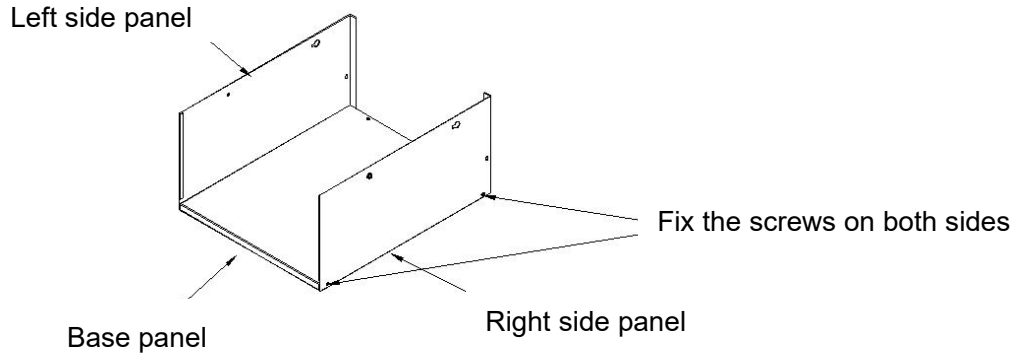
1. Cross-head screwdriver
2. 6mm hex wrench
3. 4mm hex wrench
4. 13mm external hex wrench

Installation of indicator light Module

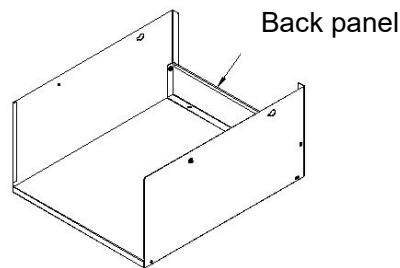


1. Use two M4*12 cross-slot three-combination screws to fix the indicator light pole assembly and the billboard bracket together. When a 21.5-inch display is selected, fix the lower bracket of the billboard to sign 1; when a 15-inch display is selected, fix the lower bracket of the billboard to sign 2.

Installation of the shopping bag shelf

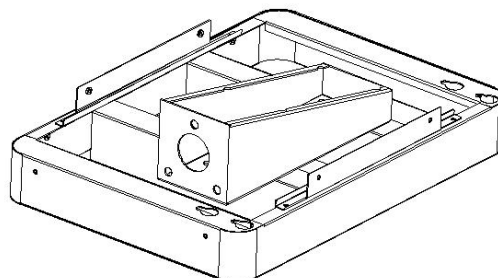


1. First, use four M4*12 cross-slot three-in-one screws to connect and fix the left and right side panels and the bottom plate of the shopping bag shelf.

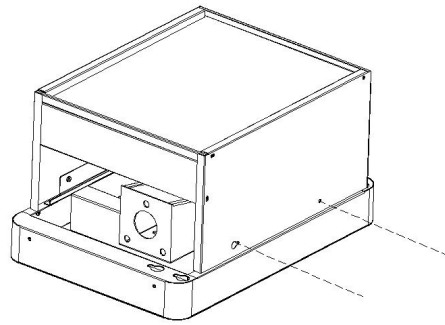


2. Use 4 M4*12 cross slot triple combination screws to first fix the shopping bag layer board back and the pre-installed module.

Installation of the side platform

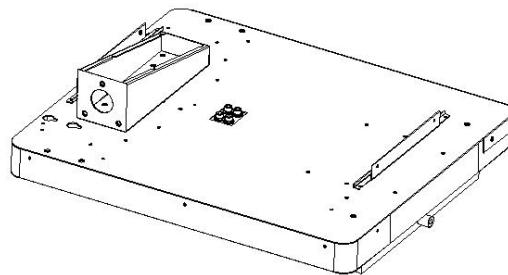


1. First, invert the side shelves and use M4*12 cross-slot three-combination screws to fix the two shopping bag shelf mounting brackets to the lower shell of the secondary cabinet.

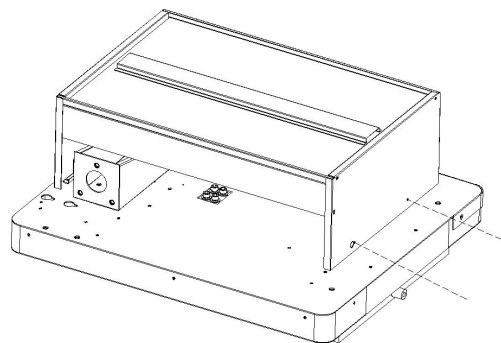


2. Install the pre-assembled shopping bag shelves onto the side shelves and lock both sides with M4*12 cross-slot three-combination screws.

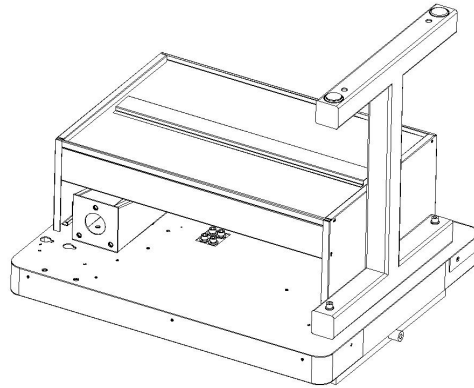
Medium type sub-cabinets and sub-cabinets are installed with shopping bag laminate



1. First, invert the lower shell of the sub-cabinet and use M4*12 cross-slot three-combination screws to fix the two shopping bag shelf mounting brackets to the lower shell of the sub-cabinet.

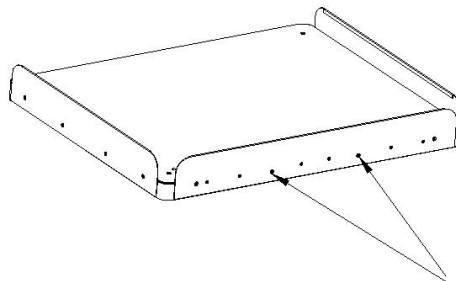


2. Install the sub-cabinet shopping bag laminate preloaded in advance to the sub-cabinet lower shell, and use M4*12 cross slot triple combination screws to lock both sides.



3. Install the support legs of the secondary cabinet onto the lower shell of the sub-cabinet using M8*70 hex socket triple combination screws.

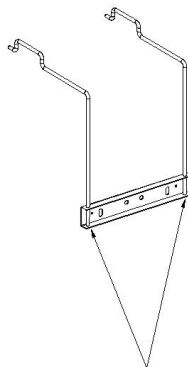
Installation of the scale pan fence



Note: only the two screws are prefixed on the back fence of the scale tray of the middle sub-cabinet

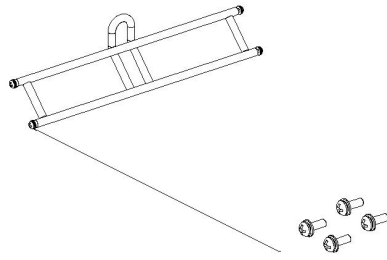
1. Use M4*8 cross countersunk screws to fix the scale pan fence to the side of the scale pan.

Installation of shopping bag brackets

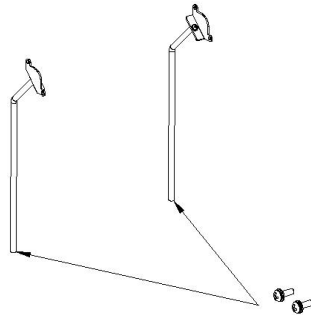


Use a cross-head screwdriver to loosen the M4 screw here

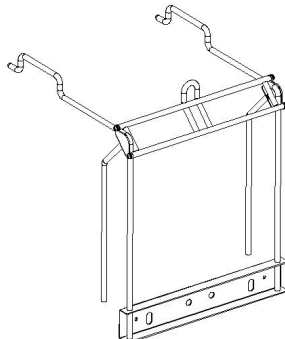
1. Unfold the shopping bag stand into the style shown in the picture above and then tighten the screws.



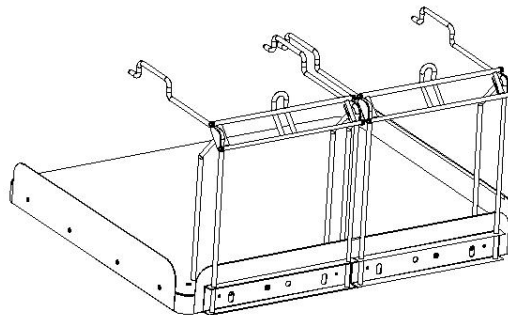
2. Use a cross-head screwdriver to remove the four M4 screws on the crossbeam of the shopping bag bracket.



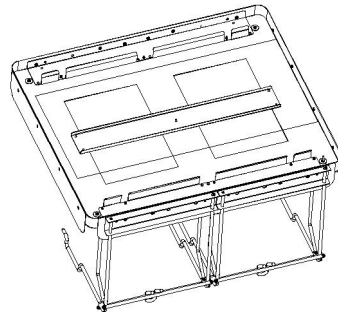
3. Remove the M4 screw at the bottom of the support rod of the shopping bag bracket and keep it ready. Change the installation direction of the sheet metal part above the support rod of the shopping bag bracket to the symmetrical style of one on the left and one on the right as shown in the above picture, and tighten the fixing screws.



4. Assemble the shopping bag stand in the style shown in the above picture and tighten the four M4 screws on both sides.

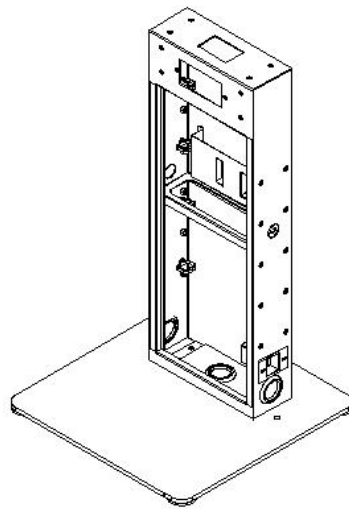


5. Use M4*12 cross three-combination screws to fix the shopping bag bracket to the scale pan.

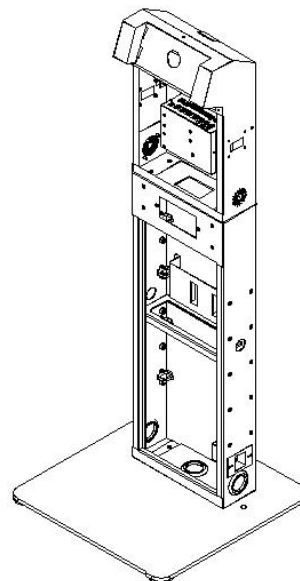
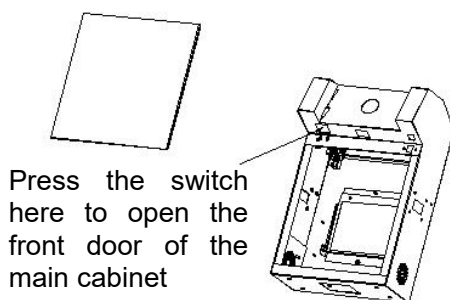


6. Flip the scale pan and use the M4*12 cross three-combination screw to fix the scale pan and the support rod of the shopping bag bracket.

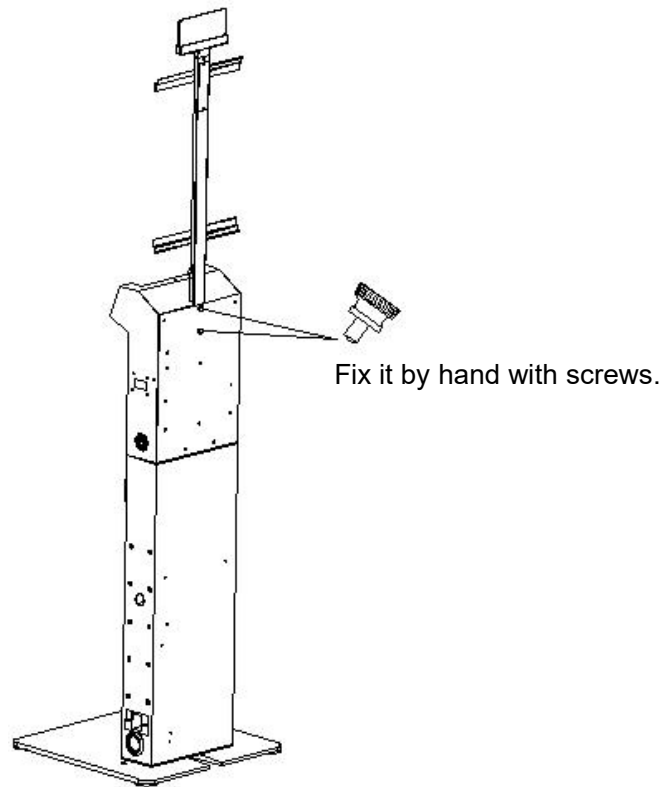
Installation of the whole machine



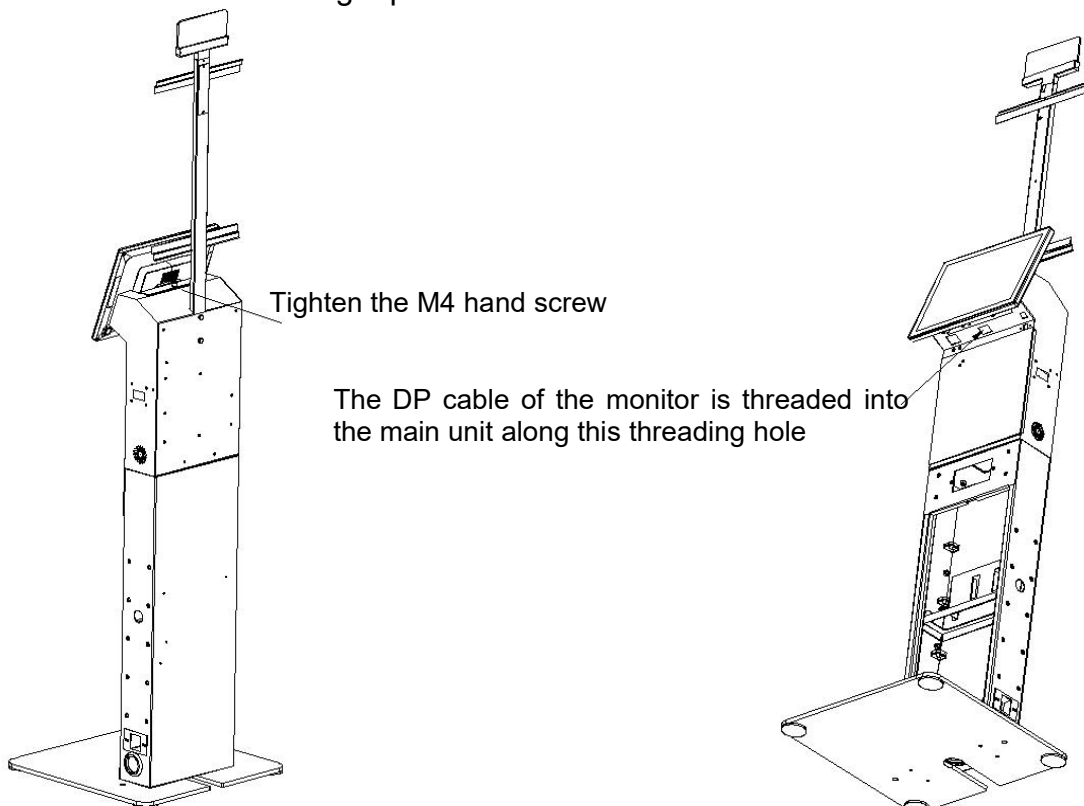
1. Remove the front door of the vertical pole and fix the main cabinet vertical pole to the base plate with 4 M8*16 hex socket triple combination screws.



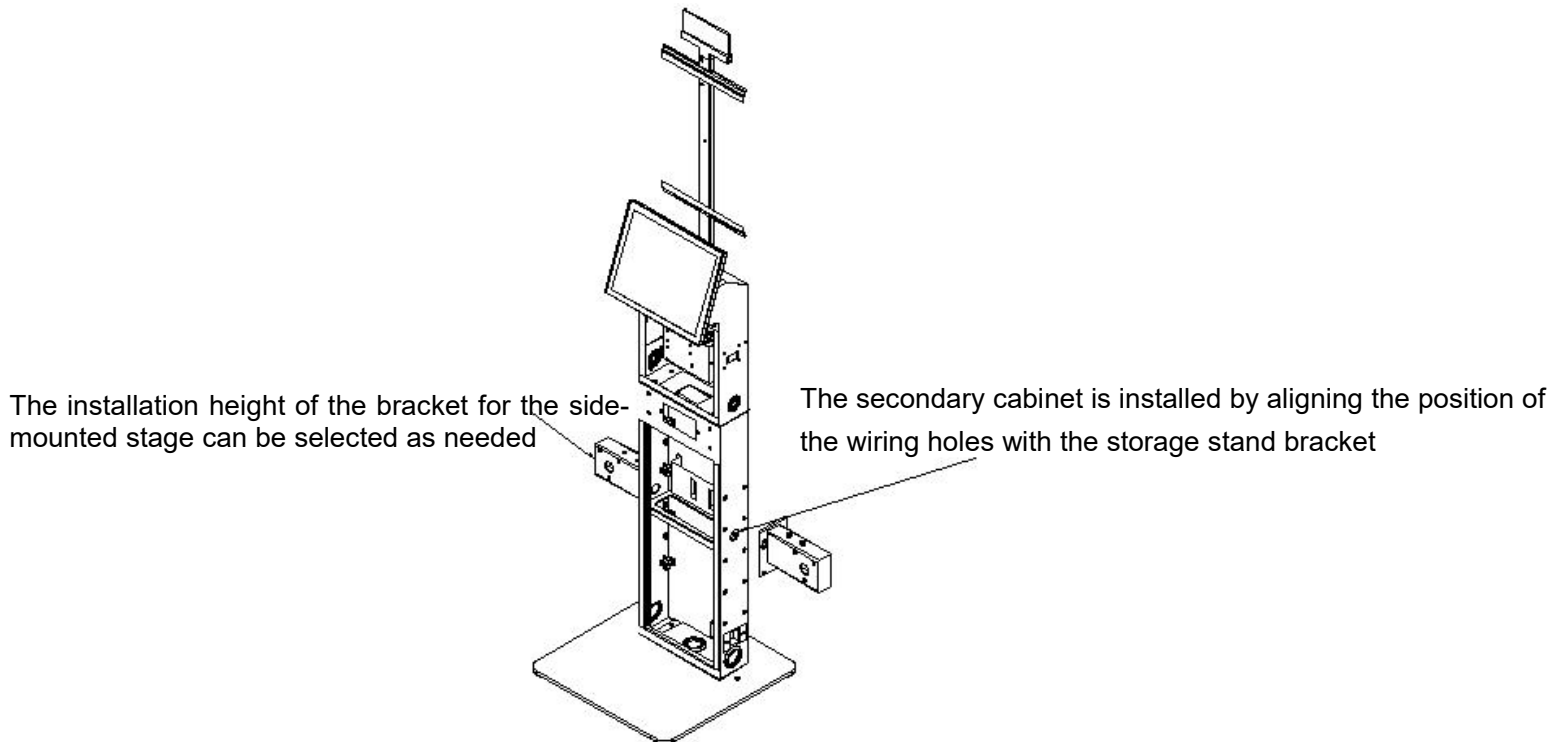
2. Remove the front door of the main cabinet and fix the main cabinet to the vertical pole with 4 M8*16 hex socket triple combination screws.



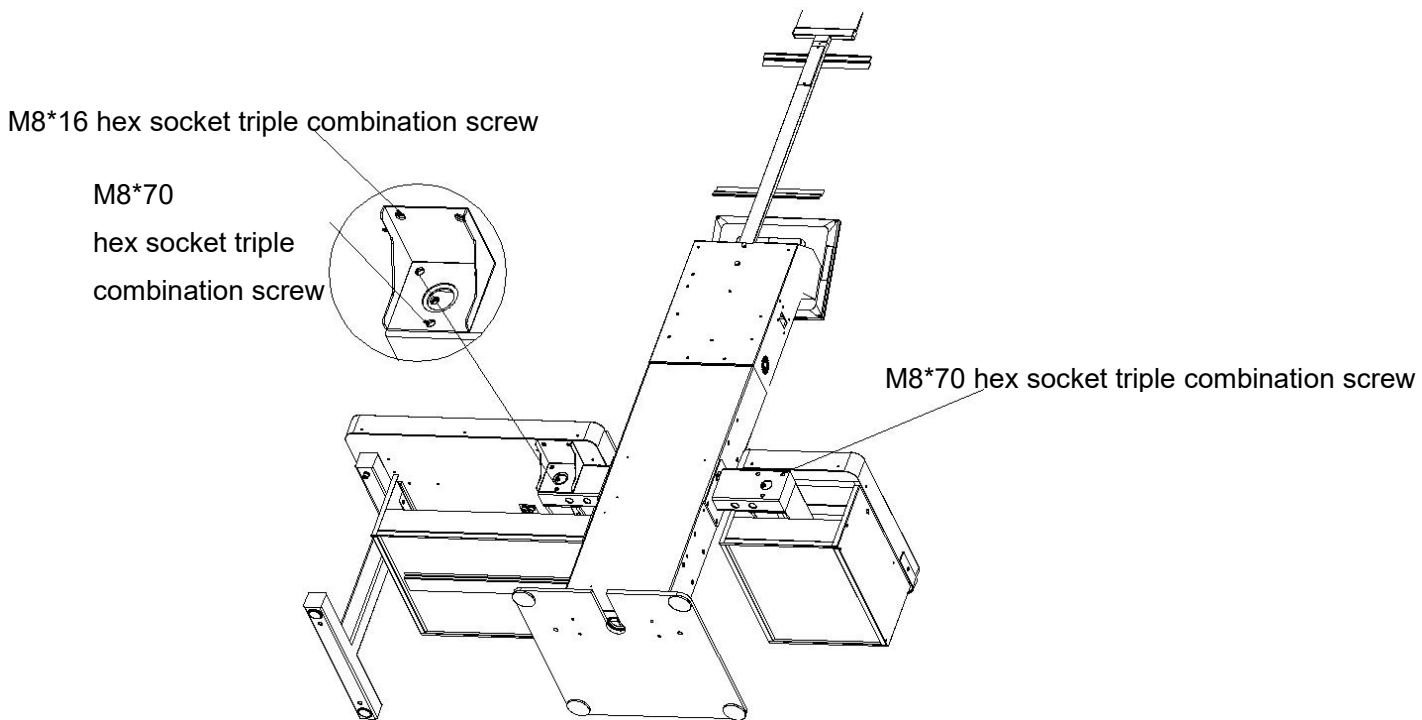
3. Insert the indicator light pole into the main cabinet and fix it with two M4 hand screws.



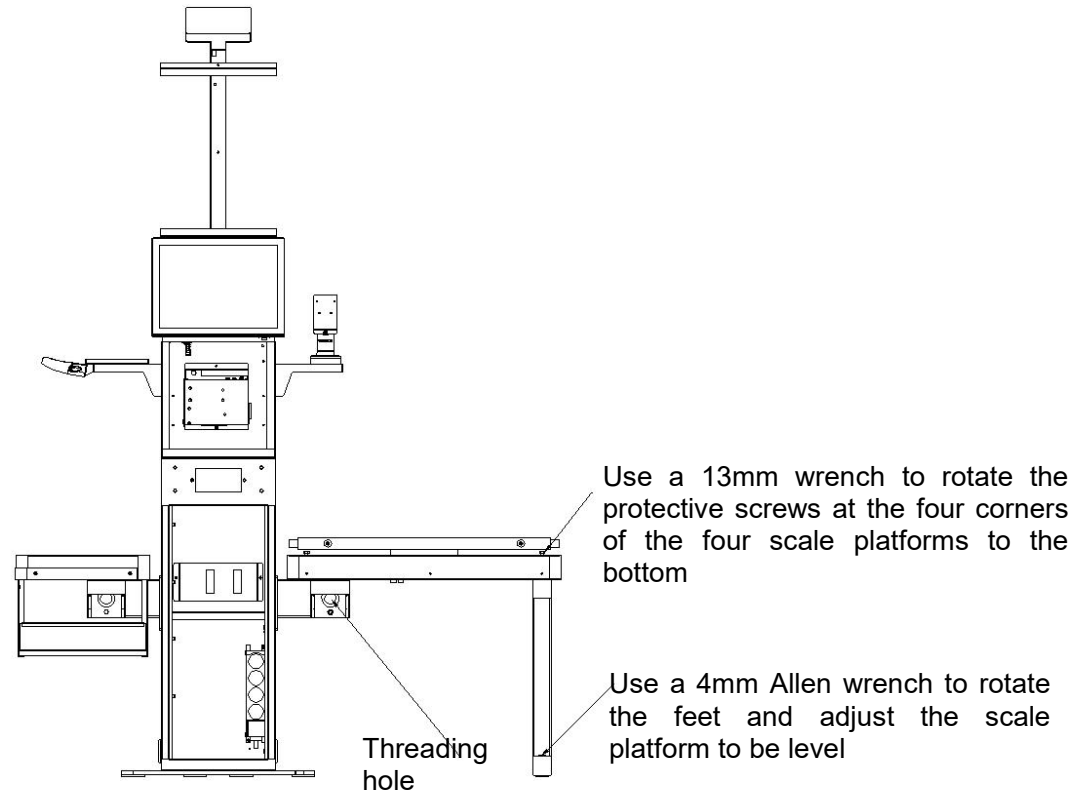
4. Insert the monitor module into the main cabinet, tighten the M4 hand screw at the top, and thread the monitor cable through the cable hole into the main cabinet, then plug it into the DP port of the main board box.



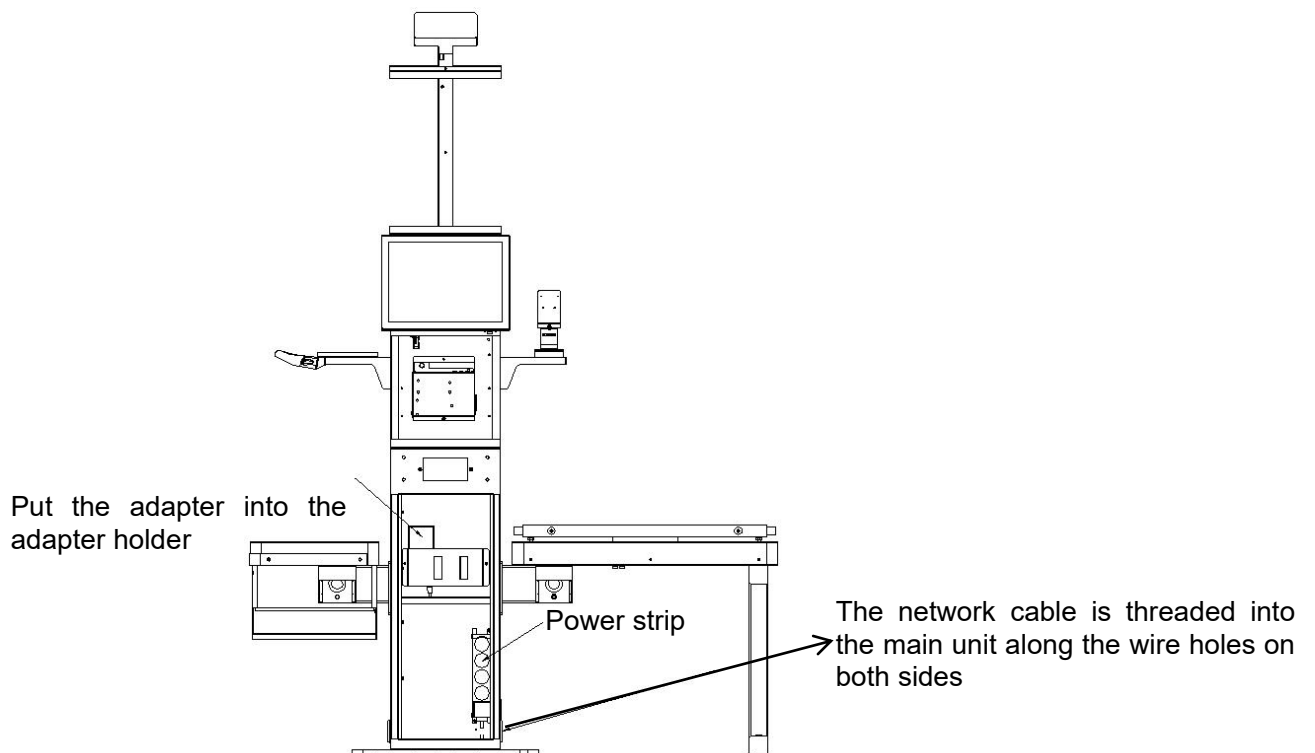
5. Use 8 M8*16 hex socket triple combination screws to install the shelf bracket onto the main cabinet pole.



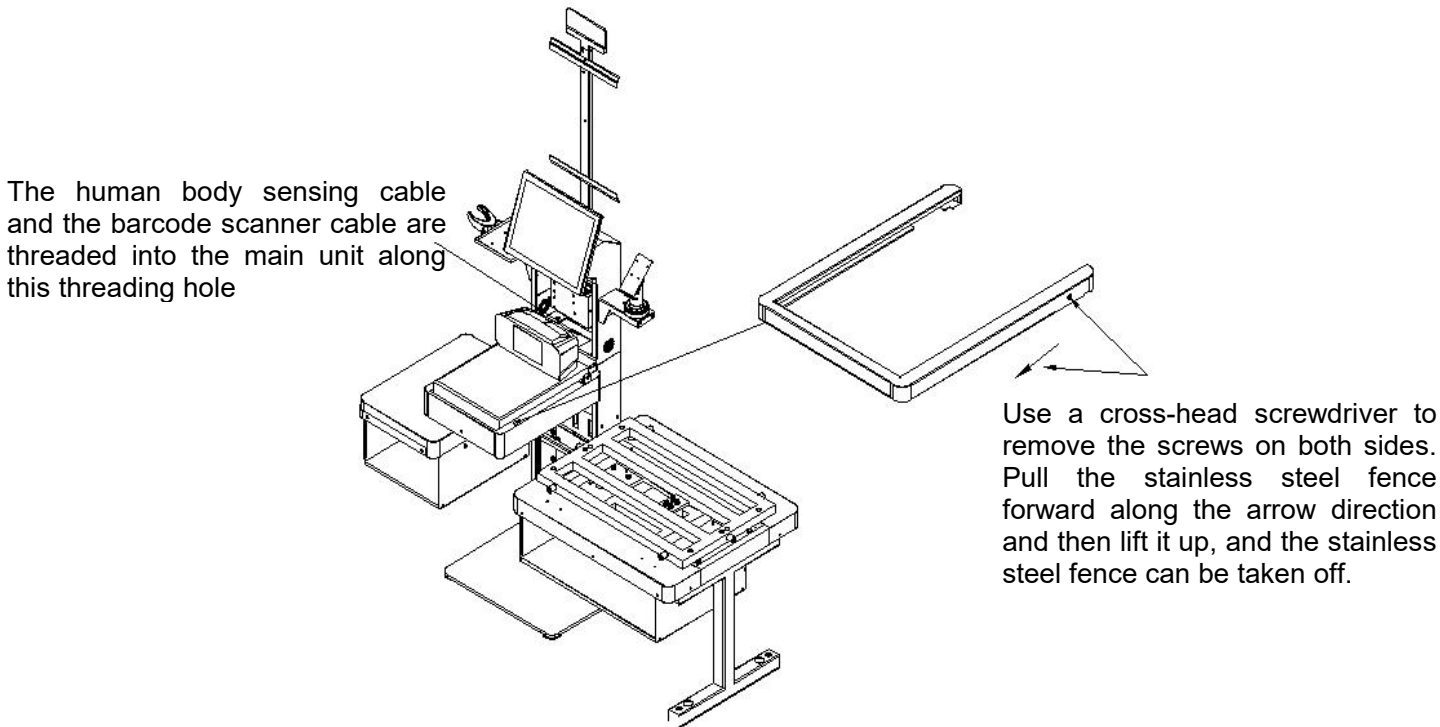
6. Use 3 M8*70 and 2 M8*16 hexagon triple combination screws to link and fix the sub-cabinet and the sub-cabinet strengthening bracket with the shelf support, and use 3 M8*70 hexagon triple combination screws to link and fix the side shelf and sub-cabinet.



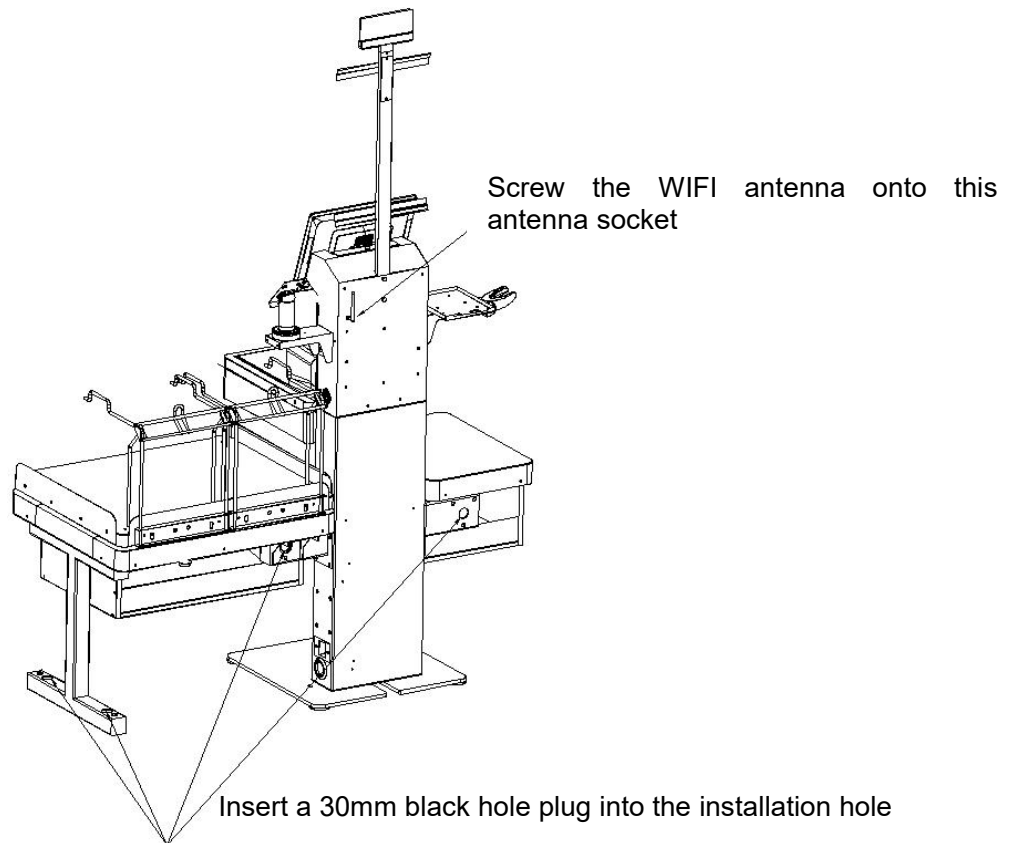
7. Use a 4mm Allen wrench to rotate the feet and adjust the scale platform to be level. Thread the cable of the scale platform through the threading hole at the bracket of the storage platform into the vertical pole of the main unit, and connect it to serial port 1 or serial port 2 of the main board box. Rotate the protective screws of the scale platform to the bottom. Use M4*12 cross-slot three-in-one screws to install the printer stand and Pinpad stand on both sides of the main unit.



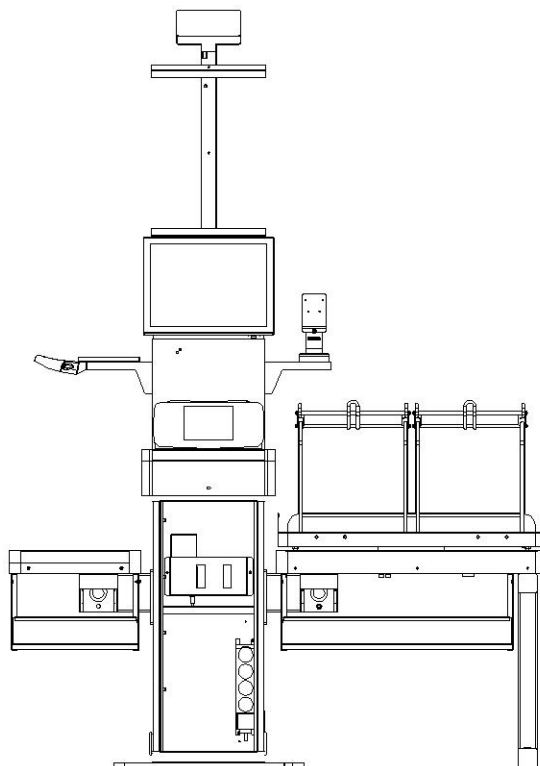
8. Insert the adapter into the adapter bracket, insert the power cord of the adapter into the reserved power strip in the cabinet, and insert the output end of the adapter upward along the vertical pole into the 24V power input port of the mainboard. The external network cable is threaded through the cable hole into the main unit and inserted into the expansion network port at the lower end of the motherboard box.



9. First, remove the stainless steel fence as shown in the diagram, and then use M8*16 hex socket triple combination screws to install the 360 platform component on the main cabinet pole. The human body sensor cable and the barcode scanner cable are inserted into the main unit along the wire holes. The human body sensor cable is connected to the reserved empty wire, and the barcode scanner cable is inserted into the USB port at the motherboard end.



10. Insert a 30mm black hole plug into the installation hole. If a WIFI antenna is selected as an option, screw the antenna into the antenna socket on the back cover of the main unit.



11. Insert the scale platform cable into the main board port, connect the indicator light cable to the reserved empty wiring, and reinstall the scale pan, the front door of the vertical pole, and the front door of the main cabinet back to their original positions. The entire machine assembly is completed.

General operations

Power on

Windows: Press the power button, release it, and wait for the power to turn on.

Power off

Windows: Under the system, click the  button in the lower menu, select the shutdown option, and shut down the system.

Note: Do not turn off the power directly or pull out the power cable. This may cause damage to the device.

Operating System

273J05/279J05/276J05/213J05

- Windows

Peripherals	Port name	Parameters
POS Printer	USB	USB2.0
Scale	COM1/COM2	Baud rate: 9600 Parity: n Data bit: 8 Stop bit: 1
Indicator light(optional)	COM6	Baud rate: 9600 Parity: n Data bit: 8 Stop bit: 1
Camera (optional)	USB	USB2.0
Scanner (optional)	USB	USB2.0

Hardware-Software Integration

File name	Description
Drivers	The driver file is stored on disk D

Troubleshooting

If you are experiencing trouble with your device, refer to the following table. If the problem persists, please contact your local dealer or the WINTEC service center.

Issue	Recommended solutions
Device fails to power on	Turn off the power and check the DC power cord for proper connection.
No sound from the speaker	Install the audio driver and set the speaker output.
System nonresponse	Restart the device or unplug and plug in the power supply to restart the device.

Revision sheet

Version	Change description	Author
1.0.0	Initial Release	Shasha Yu
1.0.1	Add N95 Configuration	Shasha Yu