

WINTEC

QINGDAO WINTEC SYSTEM CO., LTD.

Wintec Park, Xinye Road, High-Tech Zone,
Qingdao, China

www.wintec.co

Anypos300 User Manual

Table of contents

Table of contents	3
Introduction	3
Product description	3
Product features	3
Specification	3
Product usage	6
Packing list	6
Product appearance	7
I/O ports	8
Device installation	11
General operations	13
Operating system	13
Common configuration	14
Hardware-Software integration	15
Troubleshooting	16
Revision sheet	17

Introduction

Product description

Anypos300 is a multi-functional intelligent transaction terminal, which integrates functions such as scanning, printing and touch control.

- It can be equipped with various peripherals such as cameras, printers, barcode scanners and other input devices.
- It is an independent module that can be used with any cash register, and customers can choose freely.
- Equipped with two display screens, a main screen and a secondary screen. The secondary screen can be rotated.

Product features

- Rich external interfaces
- Support platform: Windows and Android
- Dual screen display, secondary screen can be rotated
- Independent scanning and printing module
- High performance, low power consumption, high reliability
- The structure is suitable for harsh environments

Specification

Windows:

Name	366A60	369A60	362A60	369A60	376A60	363A60	3692A1	3652A1
CPU	i5-1235U	i3-1215U	J6412	i3-1115G4	i5-1135G7	N97/N95	i3-7020U	J1900
Memory	DDR5 8GB, up to 32GB		8GB DD R4, up to 32GB	8GB DDR4, up to 64GB		8GB DD R4, up to 16GB	4GB DD R3, up to 32GB	4GB DD R3, up to 8GB
Storage	M.2 SATA 128GB, up to 1TB		M.2 SATA 128GB, up to 512TB			M.2 SATA 128GB, up to 1TB	mSATA 64G, up to 256G	

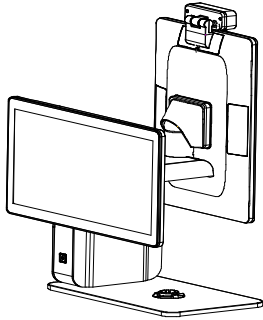
Main display	<ul style="list-style-type: none"> a. 15.6 inch, 1920x1080 b. 15 inch, 1024x768 	
Touch Screen	Multi point capacitive touch screen, USB interface	
Secondary Display	<ul style="list-style-type: none"> a. 15.6 inch, 1920x1080 b. 15 inch, 1024x768 c. 11.6 inch, 1366x768 	
Speaker	Stereoscopic speaker, 1 * 5W	
WIFI	<ul style="list-style-type: none"> a. BL-M8821CU1 WIFI+BT dual-band module b. BL-M8723DS WIFI+BT single-band module c. None 	
IO ports	<ul style="list-style-type: none"> 8*USB 4*COM port 1*Ethernet port 1*Cash drawer port 1*HDMI port 1*DC_IN 1*DC_OUT 1*PS2(Optional) 	
Ethernet	10/100/1000M adaptive	10/100M adaptive
Temperature	<ul style="list-style-type: none"> Operating temperature: 0-40°C Storage temperature: -20-55°C 	
Humidity	<ul style="list-style-type: none"> Operating humidity: 20%-95%RH Storage humidity: 20%-95%RH 	

Android:

Name	367C60	366F03	361C60
CPU	RK3588-8cores-2.4GHz	RK3399-6cores-1.8GHz	RK3568-4cores-2.0GHz
Memory	8G	4GB	
Storage	128G	32GB	
Main display	15.6 inch, 1920x1080		
Touch Screen	Multi point capacitive touch screen, IIC interface		
Secondary Display	a. 15.6 inch, 1920x1080 b. 11.6 inch, 1366x768		
Speaker	Stereoscopic speaker, 1 * 5W		
WIFI	a. BL-M8821CU1 WIFI+BT dual-band module b. BL-M8723DS WIFI+BT singlel-band module		
IO ports	8*USB 4*COM port 1*Ethernet port 1*Cash drawer port 1*HDMI port 1*DC_IN 1*DC_OUT 1*OTG		
Ethernet	10/100/1000M adaptive		
Temperature	Operating temperature: 0-40℃ Storage temperature: -20-55℃		
Humidity	Operating humidity: 20%-95%RH Storage humidity: 20%-95%RH		

Product usage

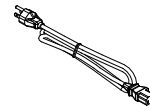
Packing list



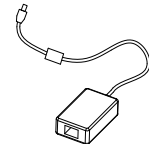
POS host



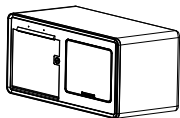
Product certificate



Power cable



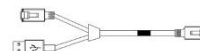
Power adapter



Printer&Scanner module



Print paper



Print/Scanner data cable

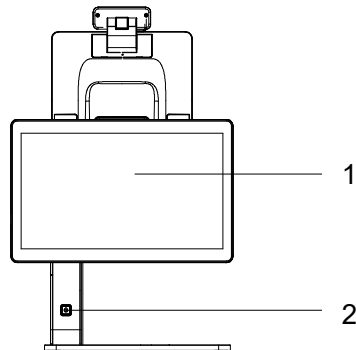


Printer power cable

Content	Quantity
POS host	1
Power cable	1
Power adapter	1
Printer&Scanner Module	1
Print paper	1
Product certificate	1
Print/Scanner data cable	2
Printer power cable	1

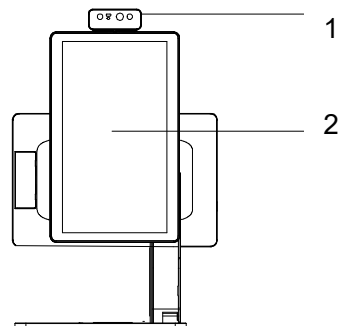
Product appearance

Front View



Number	Description
1	Main display
2	Power button

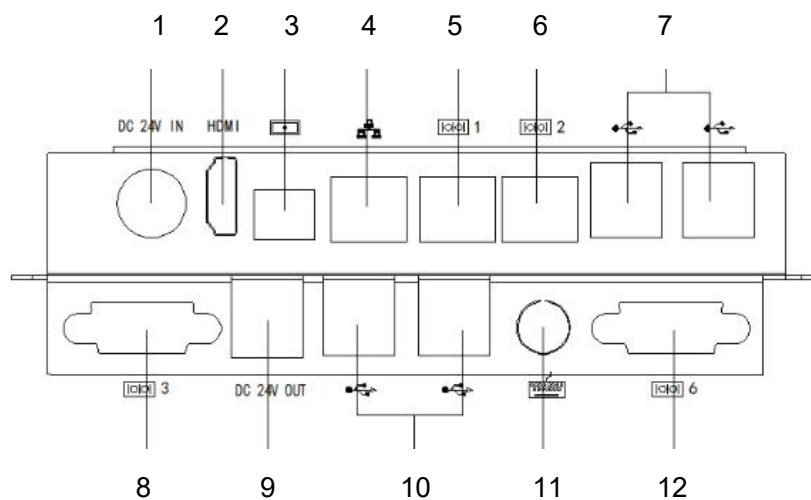
Rear View



Number	Description
1	Camera(Optional)
2	Secondary display

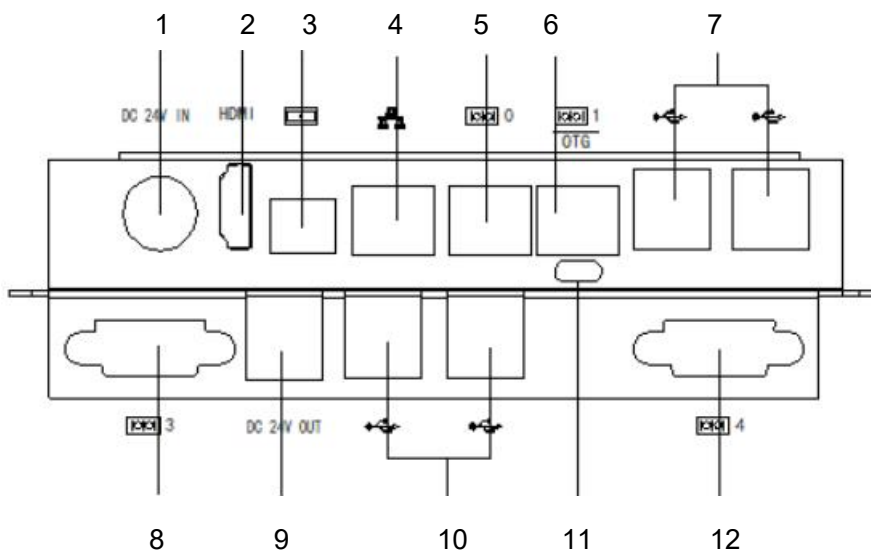
I/O ports

366A60/369A60/362A60/369A60/376A60/363A60/3692A1/3652A1



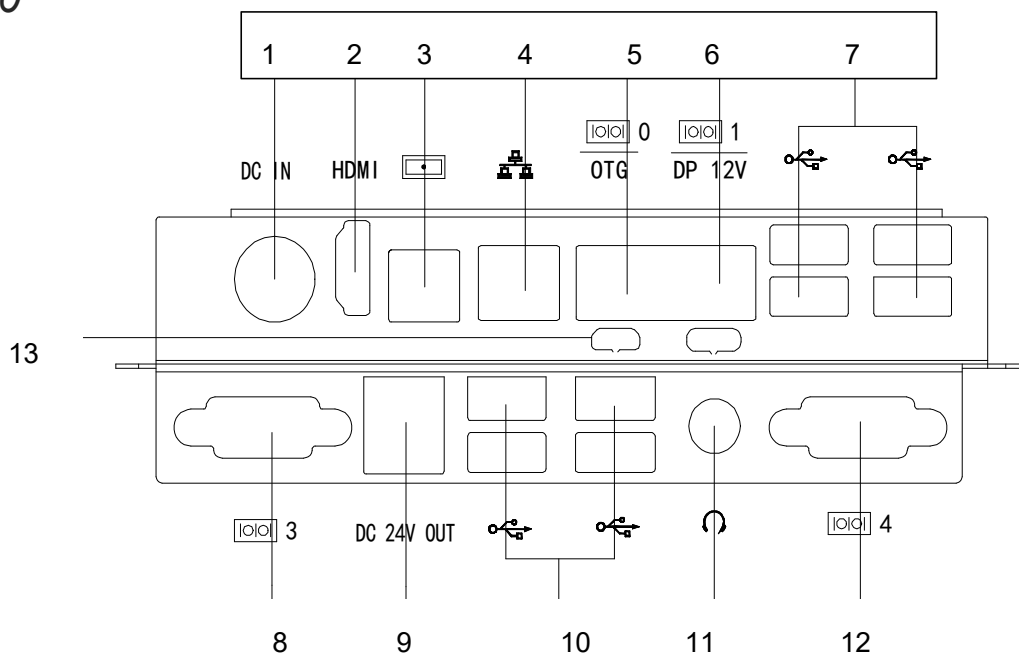
Number	Description
1	DC 24V IN
2	HDMI port
3	Cash drawer port
4	Ethernet port
5	COM 1
6	COM 2
7	USB ports
8	COM 3
9	DC 24V OUT
10	USB ports
11	PS2 port(optional)
12	COM 6

361C60/366F03



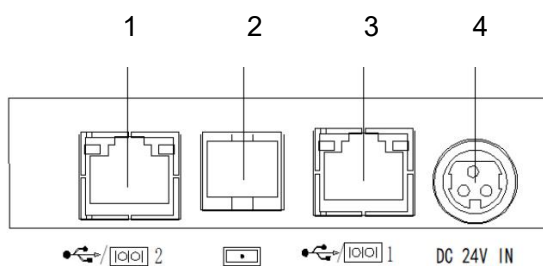
Number	Description
1	DC 24V IN
2	HDMI port
3	Cash drawer port
4	Ethernet port
5	COM 0
6	COM 1
7	USB ports
8	COM 3
9	DC 24V OUT
10	USB ports
11	OTG port
12	COM 4

367C60



Number	Description
1	DC 24V IN
2	HDMI port
3	Cash drawer port
4	Ethernet port
5	COM 0
6	COM 1
7	USB ports
8	COM 3
9	DC 24V OUT
10	USB ports
11	Headphone port
12	COM 4
13	OTG port

Printer module port

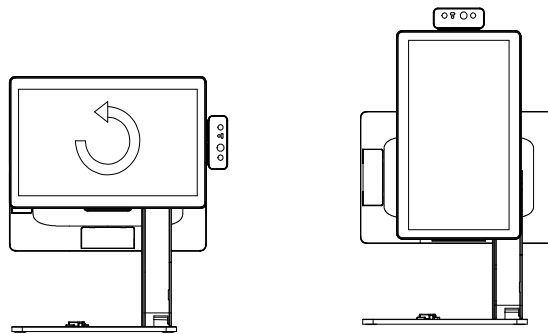


Number	Description
1	Printer communication port
2	Printer cash drawer port
3	Scanner communication port
4	DC 24V IN

Device installation

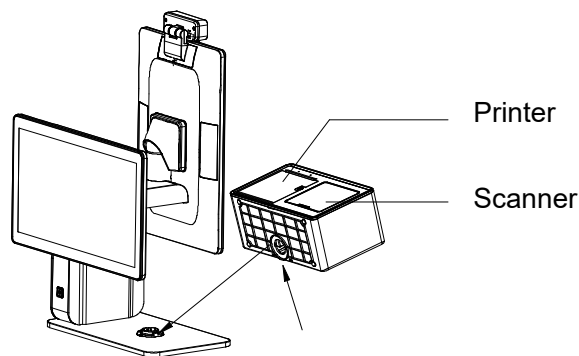
Secondary display rotation

1. The secondary screen is a rotatable design, facing the secondary screen, turning counterclockwise to turn the horizontal screen into the vertical screen, as shown in the figure below:
2. After the screen is rotated, the display direction of the secondary screen needs to be adjusted in the system settings.

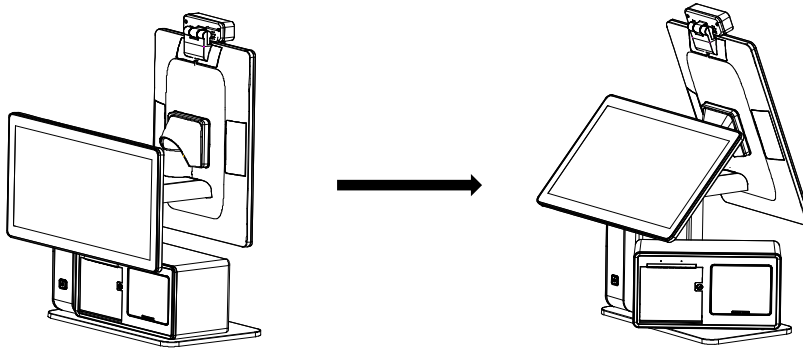


Printer&Scanner module installation

1. Align the shaft on the bottom of the mainframe with the shaft hole at the bottom of the print and scan module.
2. Press the Printer&Scanner module firmly to buckle the shaft, as shown in the figure below:

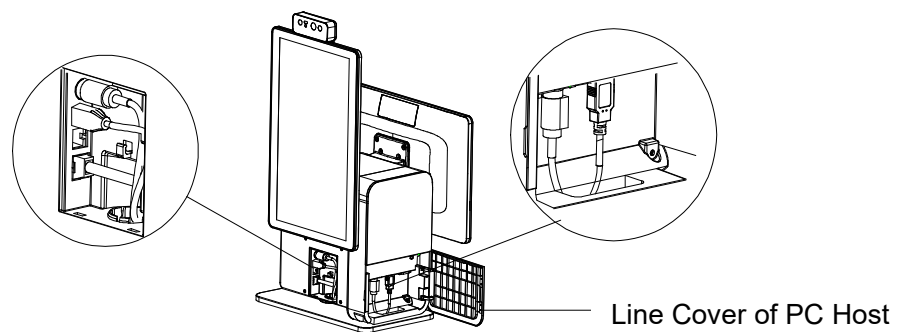


3. The printing and scanning module is a rotatable design, as shown in the figure below:

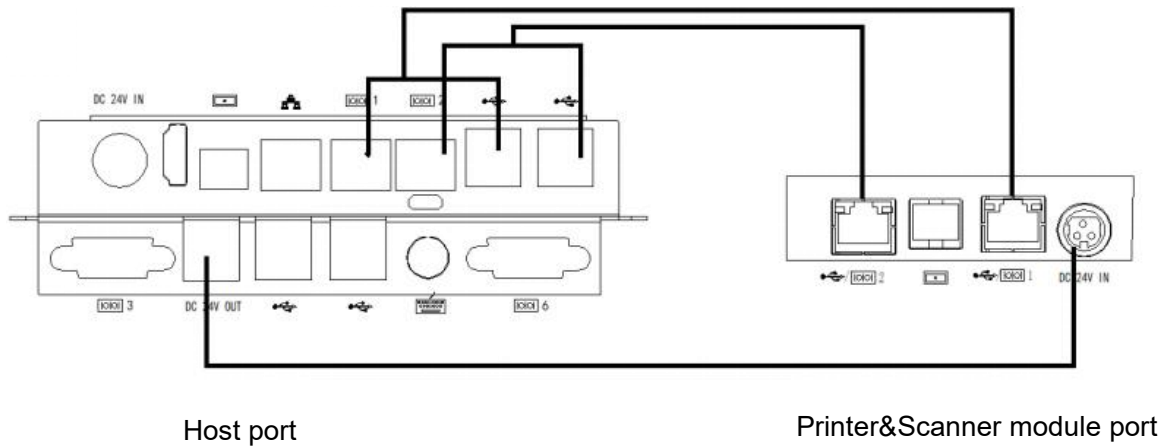


Plug in the cable of Printer&Scanner module

1. Opening the host cover line and a line printer module cover.
2. Connect the printer module power cord to the host IO port DC 24V OUT.
3. Connect the Print/Scanner data cable to the serial port and USB port on the host end, and connect both data cables.
4. Pass the three wires through the threading hole at the bottom of the host, and pass the printer module rotating shaft into the printer module wire compartment.
5. Insert the printer power cord into the 24V DC IN port of the printer module and connect the Print/Scanner data cable to the printer module.



Cable connection figure:



General operations

Power on

Android: Long press the switch button, hear the "drop" sound, let go, and wait for the boot.

Windows: Press the power button, release it, and wait for the power to turn on.

Power off

Android: Press and hold the switch button, and select the shutdown option in the pop-up dialog box to shut down the system.

Windows: Under the system, click the "Start" button in the lower menu, select the shutdown option, and shut down the system.

Note: Do not turn off the power directly or pull out the power cable. This may cause damage to the device.

Operating system

366A60/369A60/362A60/369A60/376A60/363A60/3692A1/3652A1

- Windows

Peripherals	Port name	Parameters
POS Printer	COM2 USB	Baud rate: 38400 Parity: n Data bit: 8 Stop bit: 1 -- USB2.0

Scanner	COM1 USB	Baud rate: 9600 Parity: n Data bit: 8 Stop bit: 1 -- USB2.0
Camera(optional)	USB	USB2.0
MSR(optional)	USB	USB2.0

361C60/366F03/367C60

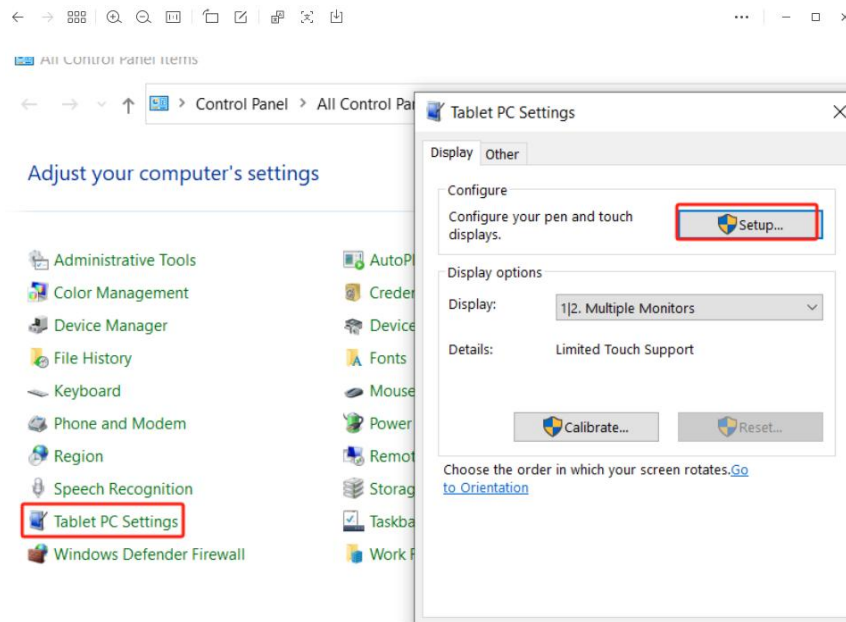
- Android

Peripherals	Port name	Parameters
POS Printer	ttySAC1 USB	Baud rate: 38400 Parity: n Data bit: 8 Stop bit: 1 -- USB2.0
Scanner	ttySAC0 USB	Baud rate: 9600 Parity: n Data bit: 8 Stop bit: 1 -- USB2.0
Camera(optional)	USB	USB2.0
MSR(optional)	USB	USB2.0

Common configuration

Dual-screen configuration

1. When dual-screen device is configured with dual-screen expansion, the touch on the main screen will be fed back to the secondary screen, and the touch screen needs to be bound in the Control panel - Tablet Settings, as shown in the following figure:
2. Go to the Control Panel and find "Tablet Settings".



3. Click the "Settings" button in the "Display" TAB.

Tap this screen with a single finger to identify it as the touchscreen.

If this is not the Tablet PC screen, press Enter to move to the next screen. To close the tool, press Esc.

4. Switch the interface displayed at the top to the screen where the touch screen is located, and then tap the touch screen with your hand to bind the touch screen.

Hardware-Software integration

File name	Description
Wintec SDK	Wintec software development Kit
Drivers	The driver file is stored on disk D

Troubleshooting

If you are experiencing trouble with your device, refer to the following table. If the problem persists, please contact your local dealer or the WINTEC service center.

Issue	Recommended solutions
Device fails to power on	Turn off the power and check the DC power cord for proper connection.
No sound from the speaker	Install the audio driver and set the speaker output.
System nonresponse	Restart the device or unplug and plug in the power supply to restart the device.
Poor print	Print head dirt: Use special cleaning tools or alcohol cotton to clean the print head.
The cash drawer can't be opened	To use the printer cash drawer, connect the cash drawer cable to the cash drawer port of the printing module.

Revision sheet

Version	Change description	Author
1.0.0	Initial Release	Shasha Yu
1.0.1	Add N95 Configuration	Shasha Yu