

WINTEC

QINGDAO WINTEC SYSTEM CO., LTD.

Wintec Park, Xinye Road, High-Tech Zone,
Qingdao, China

www.wintec.co

Anypos100 User Manual

Table of contents

Table of contents	3
Introduction	3
Product description	3
Product features	3
Specification	3
Product Usage	5
Packing list.....	5
Product appearance	5
I/O ports	7
Device Installation.....	8
General operations	9
Operating System	9
Common Configuration	10
Hardware-Software Integration	11
Troubleshooting	12
Revision sheet	13

Introduction

Product description

Anypos100, as a new quality productivity for smart stores, is a high-performance all-in-one POS designed for "Internet +" smart stores. With a significant improvement in appearance and performance, it brings you a brand-new settlement experience.

Product features

- The simple and compact appearance design creates a cashier counter with higher floor efficiency. The thin and light screen and ultra-high screen-to-body ratio make it simple yet not plain.
- The new generation AG anti-glare capacitive touch screen offers sensitive touch, is not afraid of light, leaves no fingerprints, and provides a smooth and silky experience.
- Reinvented the integrated printing module, featuring dazzling indicator lights, anti-jamming front frames, independent power supply switches, personalized decorative strips, and convenient maintenance screws, it is novel and more understanding of you.
- Modular design and easy-to-maintain design make it easier.
- It features a compatible design with multiple functional modules such as facial camera, NFC, MSR, and Ibutton.
- Both the main and secondary screens support large-angle rotation, making cashiering more convenient.
- The hidden line warehouse cover, the extra space for the main line, and the rich peripheral interfaces make the cash register counter neater.

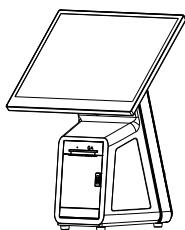
Specification

Name	161C05	163A65	163A55	169A55	176A75
CPU	RK3568-4cores-2.0GHz	Alder Lake-N95 4 cores 1.7GHz, 3.4GHz(Turbo)	Alder Lake-N97 4 cores2.0GHz, 3.6GHz(Turbo)	Intel Alder Lake i3-1215U 6 cores 2.5GHz, 4.4GHz(Turbo)	Intel Alder Lake i5-1235U 10 cores 2.5GHz, 4.4GHz(Turbo)
Memory	LPDDR4 4G	DDR4 8GB,up to 16GB		DDR5 8GB,up to 64GB	
Storage	EMMC 32G,up to 128G	M.2 SATA 128GB,up to 1TB			
Main display	a. 15.6 inch,1920x1080 b. 11.6 inch,1366x768 c. 15 inch,1024x768				

Touch screen	Multi point capacitive touch screen, IIC interface	Multi point capacitive touch screen, USB interface
Secondary display	<ul style="list-style-type: none"> a. 15.6 inch,1920x1080 b. 11.6 inch,1366x768 c. 7 inch,1024x600 d. none 	
Secondary touch screen	Multi point capacitive touch screen, USB interface(optional)	
Speaker	Stereoscopic speaker, 1*5W	
Wireless network	Support BL-M8821CU1 WIFI+BT dual-band module	<ul style="list-style-type: none"> a. Support BL-M8821CU1 WIFI+BT dual-band module(optional) b. none
Printer	80mm thermal printer (automatic paper cutting)	
IO Ports	7*USB ports 2*COM ports 1*Ethernet port 1*Cash drawer port 1*24V DC IN port 1*HDMI port The following interfaces can be optionally expanded: 1*Audio port	7*USB ports 4*COM ports 1*Ethernet port 1*Cash drawer port 1*24V DC IN port 1*HDMI port The following interfaces can be optionally expanded: 1*Audio port 1*12V DC OUT port
Ethernet	10/100/1000M adaptive	
Temperature	Operating temperature: 0-40°C Storage temperature: -20-55°C	
Humidity	Operating humidity: 20%-95%RH Storage humidity: 20%-95%RH	

Product usage

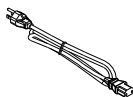
Packing list



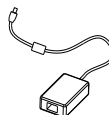
POS host



Printer paper



Power cable



Adapter



Serial port cable

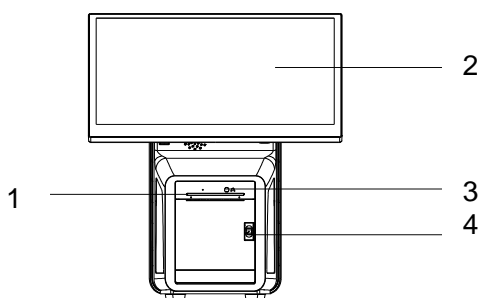


Certificate of quality

Content	Quantity
POS host	1
Printer paper	1
Power cable	1
Adapter	1
Serial port cable	1
Certificate of quality	1

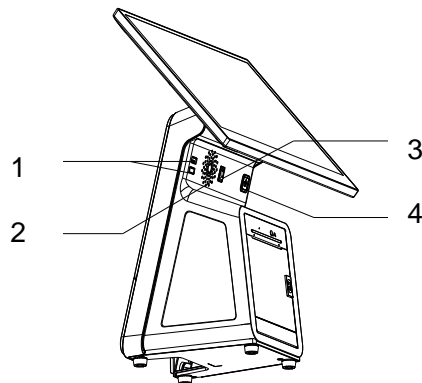
Product appearance

Front View



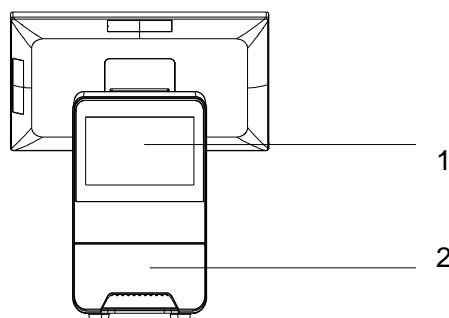
Number	Description
1	Printer indicator light
2	Main display
3	Printer traverse button
4	Printer open button

Side View



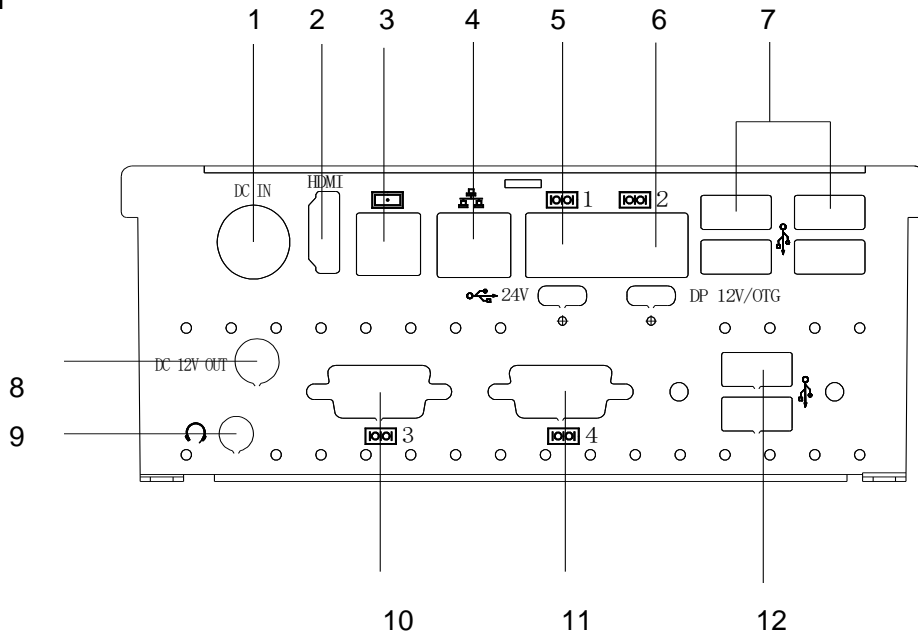
Number	Description
1	USB ports
2	Speaker
3	Printer power switch control button(optional)
4	Power button

Back View



Number	Description
1	Secondary display
2	Line cover

I/O ports

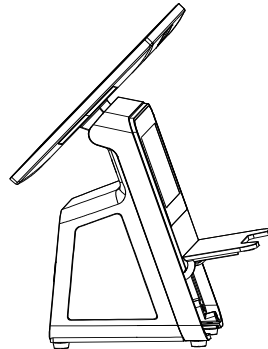


Number	Description
1	24V DC IN port
2	HDMI port
3	Cash drawer port
4	Ethernet port
5	163A55/169A55/176A75:COM1(5V) 161C05:COM0(5V)
6	163A55/169A55/176A75:COM2(5V) 161C05:COM1(5V)
7	USB ports
8	12V DC OUT port(optional)
9	Audio port(optional)
10	Only 163A55/169A55/176A75:COM3(5V)
11	Only 163A55/169A55/176A75:COM4(5V)
12	USB ports

Device installation

Cable insertion

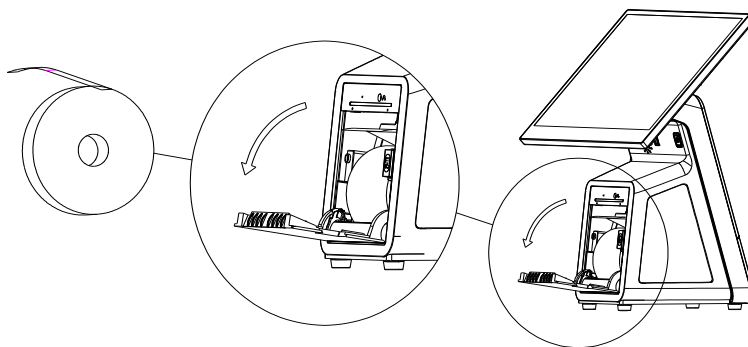
1. Open the line warehouse cover of the POS host as shown in the following figure



2. After opening the cable tray cover, the IO port can be seen. Connect the required peripheral devices (mouse, keyboard, scanner gun, etc.) and plug in the power supply. After ensuring the power supply is successfully plugged in and all peripheral devices are installed successfully, fix the cables and cover the cable tray cover.

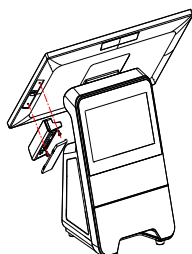
Installation of thermal printer paper

1. Take out the invoice printing paper from the packaging box, press the paper opening button to open the printer paper bin, and install the invoice printing paper. The installation direction is as shown in the following figure:



Optional MSR module installation

1. Insert the MSR card swiping cable into the MSR connector of the main screen.
2. Organize the USB cables properly to match the MSR module with the MSR position of the main screen, and fix it to the main screen with two screws.



General operations


Power on

Android: Long press the switch button, hear the "drop" sound, let go, and wait for the boot.

Windows: Press the power button, release it, and wait for the power to turn on.

Power off

Android: Press and hold the switch button, and select the shutdown option in the pop-up dialog box to shut down the system.

Windows: Under the system, click the  button in the lower menu, select the shutdown option, and shut down the system.

Note: Do not turn off the power directly or pull out the power cable. This may cause damage to the device.

Operating System

163A55/163A65/169A55/176A75

- Windows

Peripherals	Port name	Parameters
POS Printer	COM5 USB	Baud rate: 38400 Parity: n Data bit: 8 Stop bit: 1 -- USB2.0
MSR(optional)	USB	USB2.0
Camera(optional)	USB	USB2.0

161C05

- Android

Peripherals	Port name	Parameters
POS Printer	COM3 USB	Baud rate: 38400 Parity: n Data bit: 8

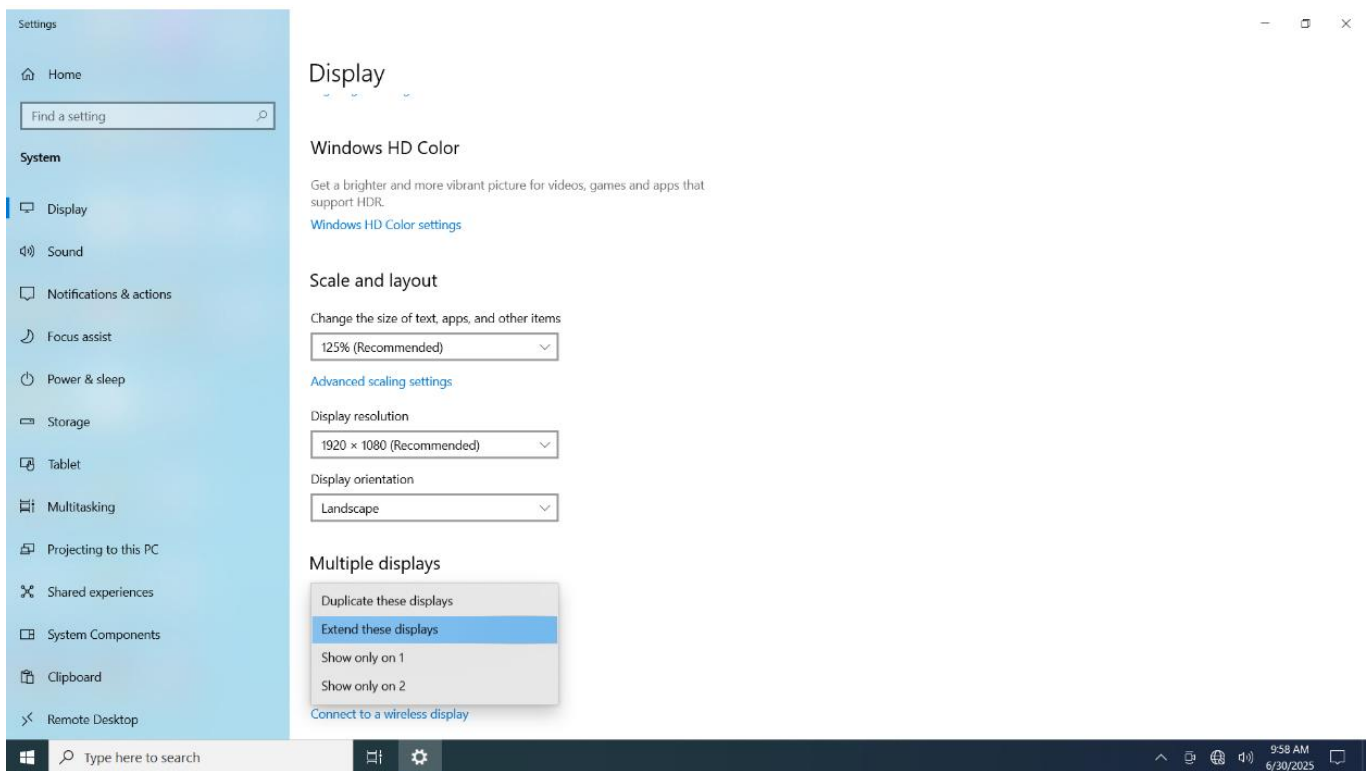
		Stop bit: 1 -- USB2.0
MSR(optional)	USB	USB2.0
Camera(optional)	USB	USB2.0

Common Configuration

Windows System Dual-screen Display Settings

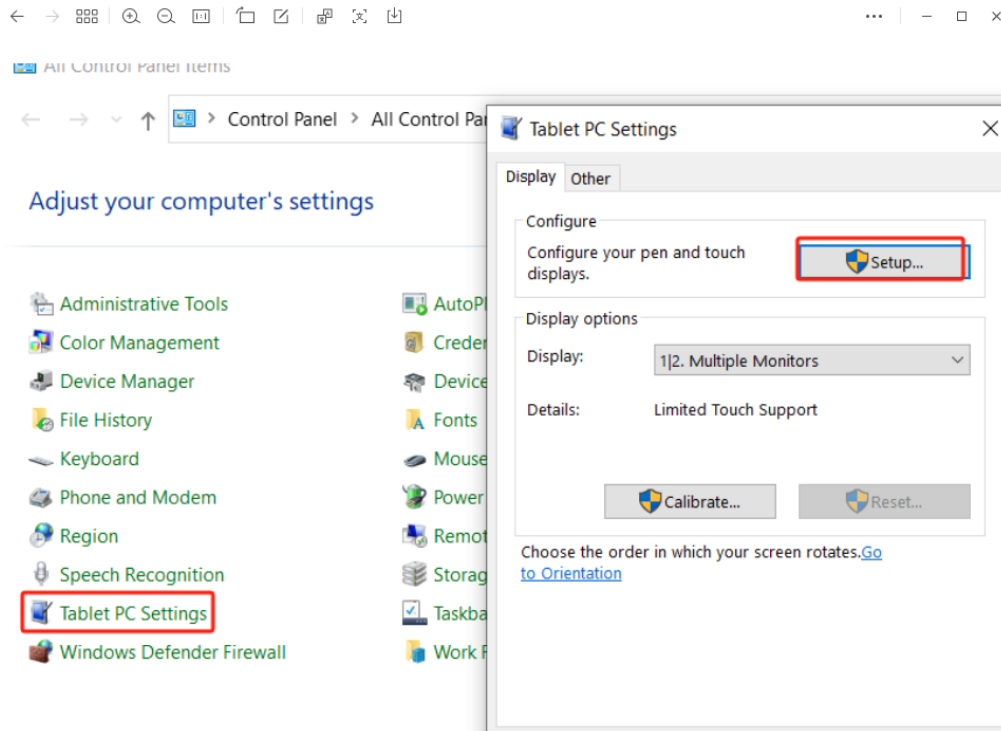
Under the premise of installing the graphics card driver:

1. Clone display Settings: Right-click the mouse - Display Settings - Select "Copy Display" in the submenu.
2. Dual-screen extended display Settings: Right-click the mouse - Display Settings - Select "Extended Display" in the sub-menu.



Dual-screen configuration

1. When dual-screen device is configured with dual-screen expansion, the touch on the main screen will be fed back to the secondary screen, and the touch screen needs to be bound in the Control panel - Tablet Settings, as shown in the following figure:
2. Go to the Control Panel and find "Tablet Settings".



3. Click the "Settings" button in the "Display" TAB.

Tap this screen with a single finger to identify it as the touchscreen.

If this is not the Tablet PC screen, press Enter to move to the next screen. To close the tool, press Esc.

4. Switch the interface displayed at the top to the screen where the touch screen is located, and then tap the touch screen with your hand to bind the touch screen.

Hardware-Software Integration

163A55/169A55/176A75

File name	Description
Driver	The driver is stored in the Drivers folder on the D drive of your Windows system

161C05

File name	Description
SDK interface description.docx	WINTEC SDK Interface Documentation
WINTEC_SDK.apk	Service Middleware WINTEC_SDK
WT-SDK.jar	Service middleware WT-SDK.jar package

Troubleshooting

If you are experiencing trouble with your device, refer to the following table. If the problem persists, please contact your local dealer or the WINTEC service center.

Issue	Recommended solutions
Device fails to power on	Turn off the power and check the DC power cord for proper connection.
No sound from the speaker	Install the audio driver and set the speaker output.
System nonresponse	Restart the device or unplug and plug in the power supply to restart the device.

Revision sheet

Version	Change description	Author
1.0.0	Initial release	YuShasha
1.0.1	Add specification information	YuShasha